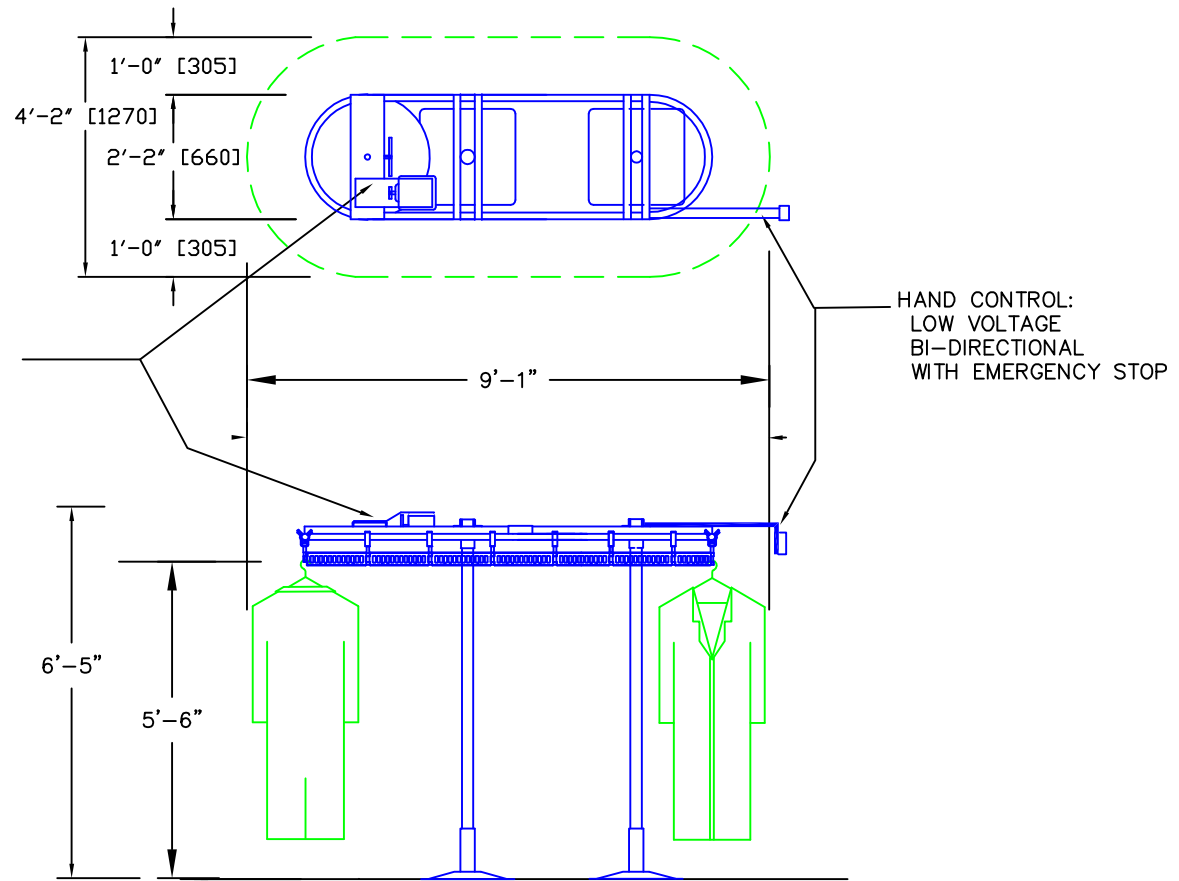


RECESSED DRIVE UNIT:  
 1/2 H.P. 220 V. 1 PH. 50 HZ.  
 WITH ELECTRONIC RAMP-UP,  
 RAMP-DOWN MOTOR CONTROLL  
 & LOW VOLTAGE CONTROL CIRCUIT.  
 PREWIRED READY FOR SUPPLY CONNECTION.



SIDE ELEVATION OF SYS 722 SIZE 180

U.L. LISTING # E31853

NOTICE: THIS DRAWING AND DESIGN IS THE SOLE PROPERTY OF RAILEX CORP.

APPROVAL BY: _____ <input type="checkbox"/> AS IS <input type="checkbox"/> AS NOTED DATE: _____	DISTRIBUTION <input type="checkbox"/> OWNER <input type="checkbox"/> PRODUCTION <input type="checkbox"/> ARCHITECT <input type="checkbox"/> INSTALLATION <input type="checkbox"/> FILE <input type="checkbox"/> CONTRACTOR	SCALE: As Noted	722-180 Conveyor Single Tier  SYS 722-180	<b>RAILEX</b> <sup>®</sup> Corporation 89-02 ATLANTIC AVE. QUEENS, NEW YORK 11416 (718) 845-5454		
		DRAWN BY: BILL QUIRKE				
		CHECKED BY: _____				
		PROJ. ENG.: _____				
		DATE: 3/28/17		NO.	DATE	REVISIONS
		DWG. NO. 722-180				