

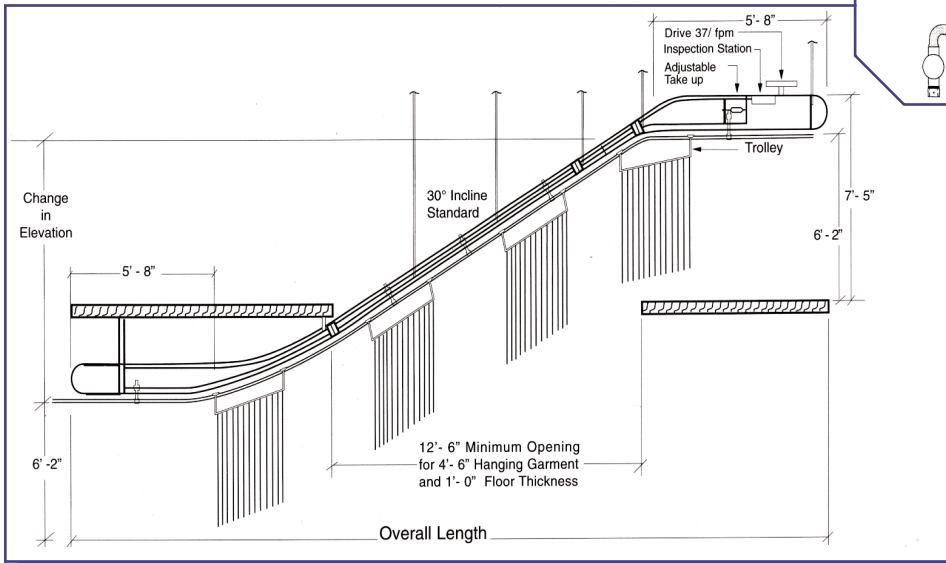
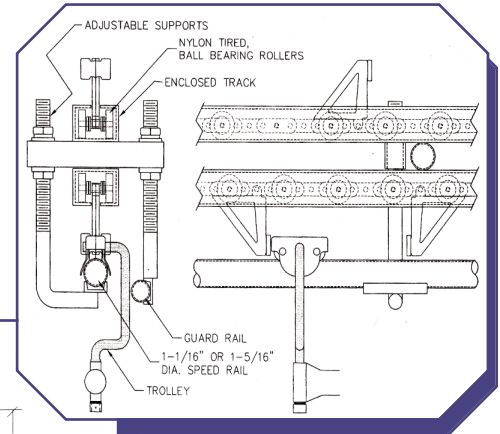
System 211

Inclined Conveyor for System 200 Trolleys



System 211 Powered Trolley Booster

is specifically designed for garment manufacturers, garment distribution centers, and uniform rental; to move trolleys between floors and between mezzanine and main floors. Suitable for continuous operation. High capacity, 37 ft./minute up, down, or both. Elevation changes to 20' - Incline 30°. Quiet, lubrication free operation.



Elevation Change (E.C.)	Overall Length Horizontal	H.P.
2'- 0"	14'- 9"	1/3
3'- 0"	16'- 6"	1/3
4'- 0"	18'- 3"	1/3
5'- 0"	20'- 0"	1/3
6'- 0"	21'- 9"	1/3
7'- 0"	23'- 5"	1/2
8'- 0"	25'- 4"	1/2
9'- 0"	26'-11"	1/2
10'- 0"	28'- 8"	1/2
11'- 0"	30'- 5"	3/4
12'- 0"	32'- 1"	3/4
13'- 0"	33'-10"	3/4
14'- 0"	35'- 7"	3/4
15'- 0"	37'- 4"	3/4
16'- 0"	39'- 1"	3/4
17'- 0"	41'- 9"	3/4
18'- 0"	43'- 6"	3/4
19'- 0"	45'- 2"	3/4
20'- 0"	46'-10"	3/4

Specifications:

Power Track: Enclosed.
Chain: Ball bearing, nylon tired.
Drive: 37fpm.
Take up: Adjustable.
Pushers: Dual Pivoting.
Bi-directional capability
Incline: 30° standard.
Duty: Continuous or Intermittent.

Standard Equipment

- 1/3 - 3/4 hp, 115/208/220, 1 or 3 ø phase.
 - Adjustable torque limiter.
 - Bi-directional pivoting pushers every 8'.
 - Adjustable take up.
 - Guard Rail for incline.
 - Trolley rail to match 1 1/16" or 1 5/16".
- Specify:** Electrical supply, change in elevation, and rail size.
Optional: Electrical control package including push button stations.
 Full line sensor.
 Pneumatic trolley feeder.

