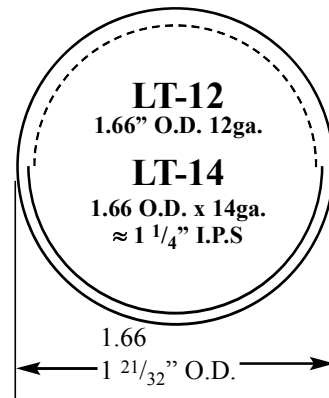
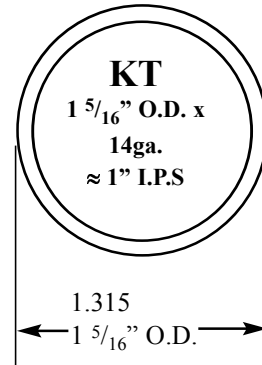
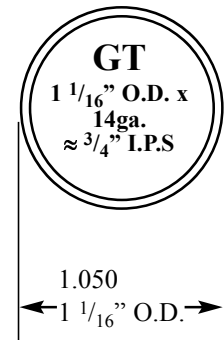


Railex Tubing Sizes



Flange Clamp

Size	
G1	G/GT
K1	K/KT

For fastening suspensions to ceiling, brace pipes to wall or uprights to floor. Simply insert pipe and tighten non-slip nut. Provides sturdy support not possible with other flanges. Holes on 3/4" centers.



Flange & Nipple (2 Hole)

Size	
K6D	K/KT
L6D	L/LT
M6D	M/MT
Q6D	Q/QT
S6D	S

Two hole mounting for use as upright base plate. One piece weldment. Holes on 3/4" centers.



Flange & Nipple (1 Hole)

Size	
K8D	K/KT
L8D	L/LT
M8D	M/MT
Q8D	Q/QT

Single Center hole mounting for use as upright base plate. Uses FA5015 anchor for concrete floors or FL3110 lag bolt for wood floors. One piece weldment.



Strap

Size	
G9	G/GT
K9	K/KT
L9	L/LT
M9	M/MT

Heavy Duty for strapping headers and braces to beams, trusses, angles, other structures.

RAILEX

89-02 Atlantic Avenue, Ozone Park, NY 11416 ♦ Tel: (718) 845.5454 ~ Fax: (718) 738.1020

SYSTEM 200 Continuous Speed Rail

Rail Supports

Rail Support

Size	
G2	G/GT Suspension, GT/KT Rail

For supporting rails from suspension pipes. Simply slip over suspension and tighten non-slip nut. Rails are fastened with self-tapping screws. G/GT, K/KT rail. Included pinning hole for added safety.



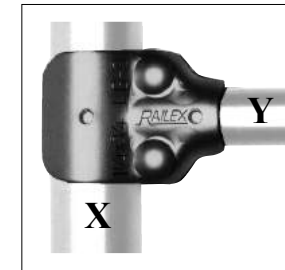
Close Rail Support CB2

For fastening directly to beams, angles, channels, door jambs, etc. Rails are fastened with self-tapping screws. G/GT or K/KT rails. Two mounting holes on 2" centers. 3/8" Diameter, Width 2 1/2"

Optional:
Single center hole 3/8".



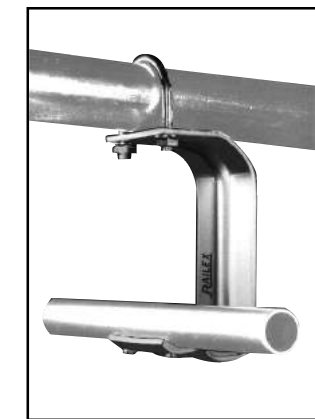
Brace and Cross Clamps



Steel Brace Clamp-3 (3 Way)

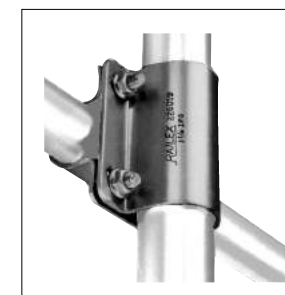
Part No.	Size		Pipe Size
	X	Y	I.P.S.
G3	G	G	3/4" x 3/4"
K3	K	K	1" x 1"
L3	L	L	1 1/4" x 1 1/4"
KG3	K	G	1" x 3/4"
LG3	L	G	1 1/4" x 3/4"
LK3	L	K	1 1/4" x 1"
KG3	G	K	3/4" x 1"

For bracing, supporting upright, headers, suspensions, or braces. Made in two halves that clamp around pipe or tubing. Bolts and non-slip nuts are furnished.



Header Rail Support 2UB2

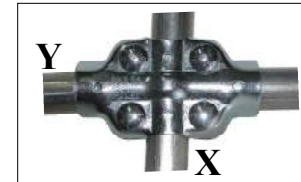
For bolting directly to horizontal L/LT header. Furnished with U-bolt and nuts.



Steel Cross Brace Clamp X-S (4 Way)

Part No.	Size		Pipe Size
	X x Y		I.P.S.
GGX-S	G x G		3/4" x 3/4"
KKX-S	K x K		1" x 1"
LLX-S	L x L		1 1/4" x 1 1/4"
GKX-S	G x K		3/4" x 1"
GLX-S	G x L		3/4" x 1 1/4"
KLX-S	K x L		1" x 1 1/4"

For bracing, supporting upright, headers, suspensions, or braces. Both pipes go straight through and therefore do not have to be cut at clamp. Bolts and non-slip nuts are furnished.



Malleable Style Cross Brace Clamps - X-M

For bracing, supporting of upright, headers, suspensions or braces. Made in two halves that clamp around pipe or tubing. Bolts and non-slip nuts are furnished. Malleable iron or steel construction with a zinc plated finish. Lines intersect. "X" goes straight through. "Y" is cut.

Part No.	Size		Pipe Size
	X	Y	I.P.S.
GGX-M	G	G	3/4" x 3/4"
KKX-M	K	K	1" x 3/4"
KKX-M	K	K	1" x 1"
LLX-M	L	L	1 1/4" x 1 1/4"

Rail End Stop - RE

Specify Size.
Prevents trolleys and hangers from moving off end of rail.



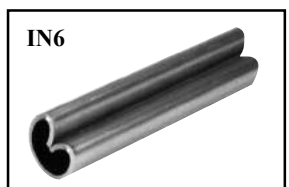
Specify Size.

For connecting rails and headers internally.



Inserts

Sizes
LT-14ga.
LT-12ga.



RAILEX

89-02 Atlantic Avenue, Ozone Park, NY 11416 ♦ Tel: (718) 845.5454 ~ Fax: (718) 738.1020

TROLLEY COMPONENTS *for Greenhouse*

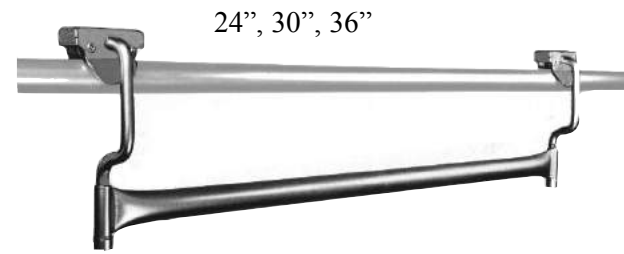


89-02 Atlantic Avenue, Ozone Park, New York 11416

Tel: (718) 845-5454 ☎ Fax: (718) 738-1020

RAILEX@RAILEXCORP.COM

WWW.RAILEXCORP.COM



RT510

250 lb. capacity
Spool Diameter 1.187\"/>
Case Hardened Arm
Steel Head
Zinc Plated

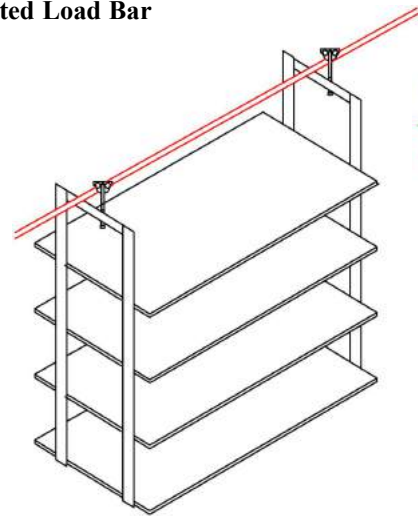


RTP 514
End Assembly

- ◆ Shielded double row ball bearings, pre-lubricated, 4 spools (8 bearings) per trolley
- ◆ Thrust washers on trolley bar ◆ 1 5/16\" Plated Load Bar
- ◆ Stock Lengths: 24\", 30\", 36\", center/center

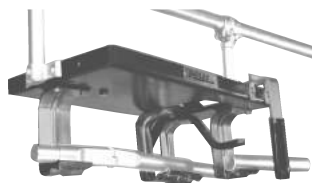


RTP 513
Head with 2 Steel Spools
Riveted Axle



RT400
Transport Cart
Adjustable Multi-shelf Design
Sturdy Construction
Includes RTP513 Trolley Head

Master Switch - 2MS2
(2 way)



Curved Lever Switch
45° CLS-45



Straight Lever Switch
SLS

For a complete view of Trolley Rail components request catalog for system 200
access our website at www.RailexCorp.com
or contact us at Railex@RailexCorp.com

Sales: Bill@railexcorp.com

Customer Service: Maureen@railexcorp.com



89-02 Atlantic Ave., Ozone Park, NY 11416
Tel: (718) 845.5454 ~ Fax: (718) 738.1020

GREENHOUSE APPLICATION RAIL & TROLLEY SYSTEM ~ RAILEX SYSTEM 200

