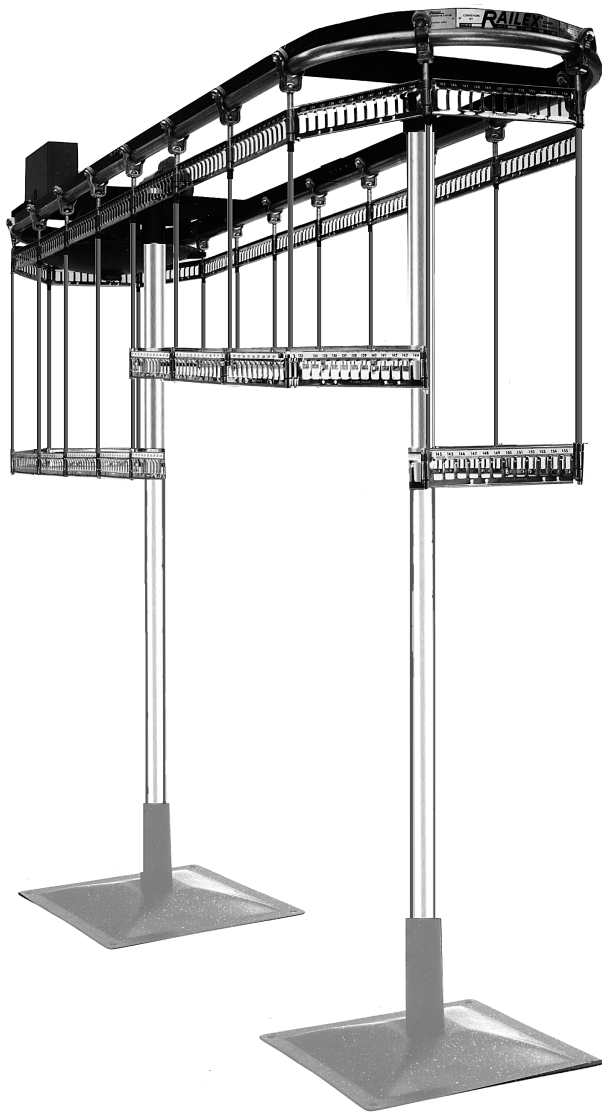


SYSTEM 742SL

Two Tiered, Short & Long

Electric Storage & Retrieval Conveyors
Combined Short and Long Garments



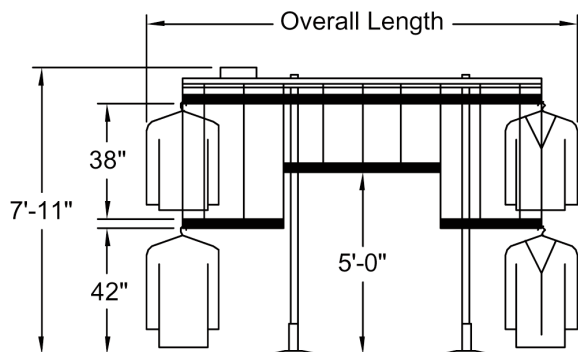
System 742SL

Two Tiered, Short & Long

Includes floor stands, uprights, foot control, chrome plated links & trolleys, recessed drive.

Size	Typical Short Positions	Typical Long Positions	Overall Length with Garments
312	240	36	8'-0"
360	264	48	9'-1"
408	312	48	10'-2"
456	336	60	11'-3"
505	384	60	12'-4"
552	408	72	13'-5"
600	456	72	14'-6"
648	480	84	15'-7"
696	528	84	16'-8"
744	552	96	17'-9"
792	600	96	18'-10"
840	624	108	19'-11"
888	672	108	21'-0"
936	696	120	22'-1"
984	744	120	23'-2"
1032	768	132	24'-3"
1080	816	132	25'-4"
1128	840	144	26'-5"
1176	888	144	27'-6"
1224	912	156	28'-7"

* Proportion of Long & Short can be changed



Side View

RAILEX

89-02 Atlantic Avenue
Ozone Park, NY 11416

Tel: (718) 845-5454

Fax: (718) 738-1020

WWW.RAILEXCORP.COM

EMAIL: RAILEX@RAILEXCORP.COM