

System 430

Continuous Tube Conveyor

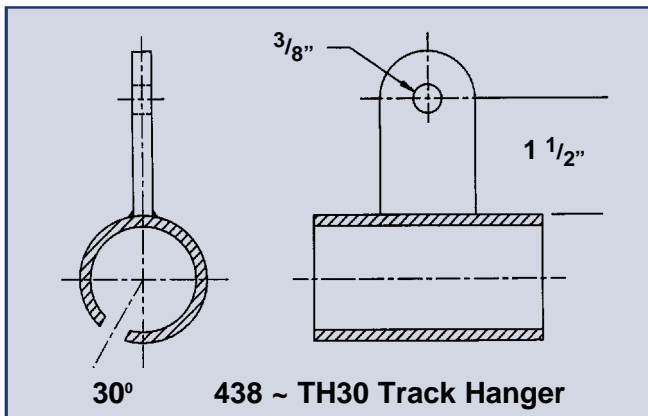
PENDANT DOWN

Features of The System 430

- ♦ Enclosed Track, Zinc Plated or Stainless Steel.
- ♦ Stainless Steel Turns, Hardened & Machined slot.
- ♦ Hardened *Corrosion Resistant* Links & Pendants.
- ♦ Combined Link & Pendant.
- ♦ Torque Limiter Overload Protection, Chain Pull - 500 lbs.
- ♦ Temperatures to 300° F., Humidity to 100%



Illustrated with
Standard Screw
Take-up



STAINLESS STEEL CURVES

Hardened, Machined Slot

