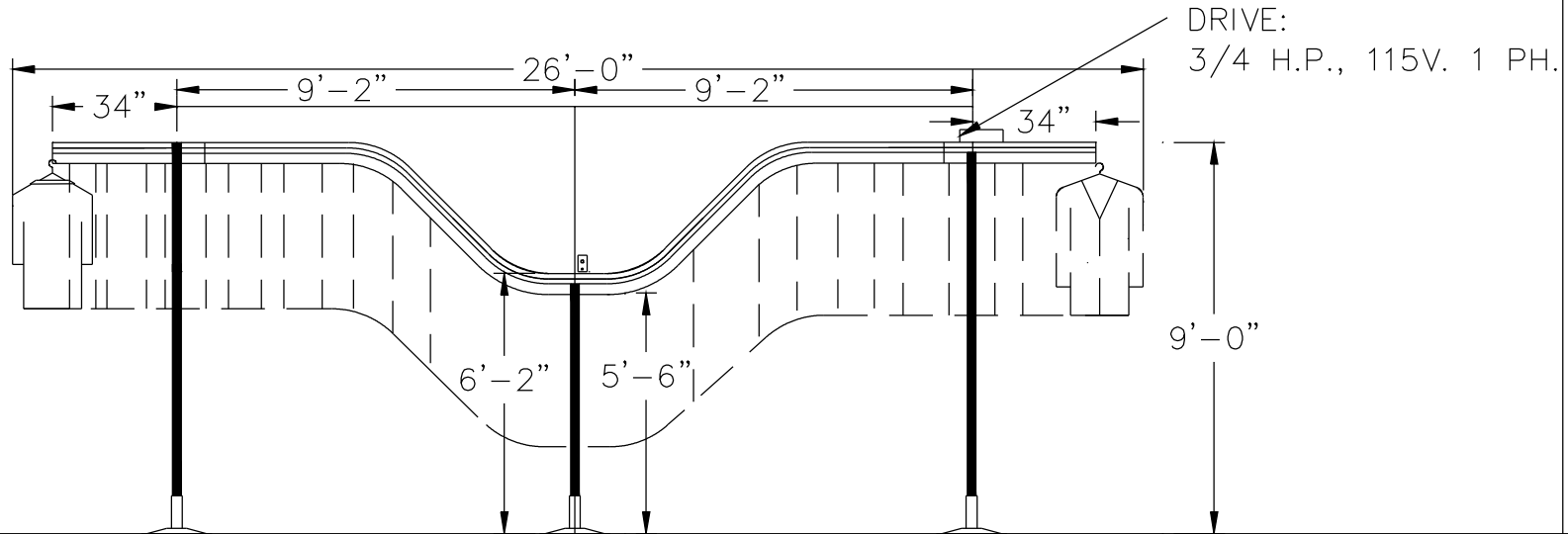
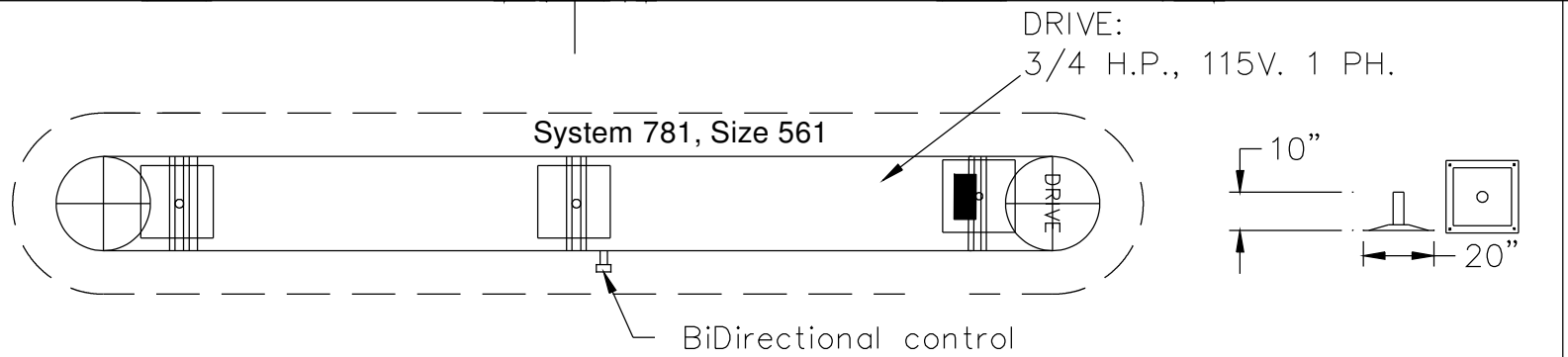


System 781-561



DRIVE:
3/4 H.P., 115V. 1 PH.



DRIVE:
3/4 H.P., 115V. 1 PH.

NOTICE: THIS DRAWING AND DESIGN IS THE SOLE PROPERTY OF RAILEX CORP.

APPROVAL	DISTRIBUTION		SCALE: 1/4" = 1'-0"
			DRAWN BY: Bill Quirke
			CHECKED BY:
			PROJ. ENG.:
BY:	<input type="checkbox"/> OWNER <input type="checkbox"/> PRODUCTION		DATE: 6/19/17
<input type="checkbox"/> AS IS <input type="checkbox"/> AS NOTED	<input type="checkbox"/> ARCHITECT <input type="checkbox"/> INSTALLATION		DWG. NO. 16060
DATE:	<input type="checkbox"/> FILE <input type="checkbox"/> CONTRACTOR		

System 781

RAILEX Corporation		89-02 ATLANTIC AVE QUEENS, NEW YORK 11416 (718) 845-5454
NO.	DATE	REVISIONS