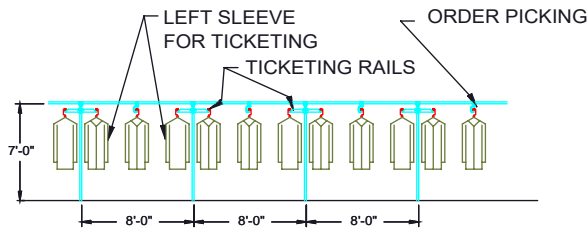


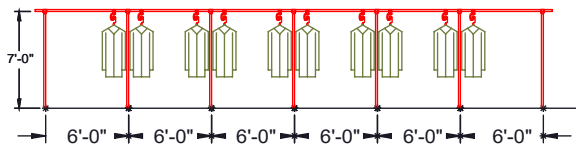
ELEVATION B-B

1/8" = 1'-0"



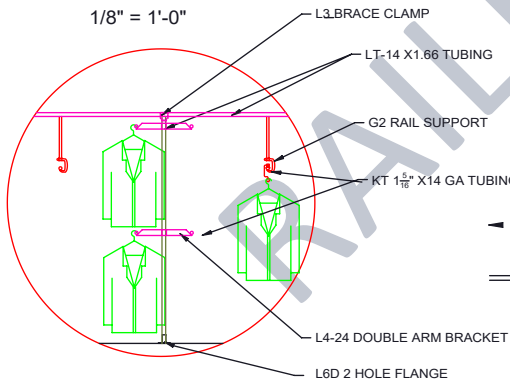
ELEVATION C-C

1/8" = 1'-0"

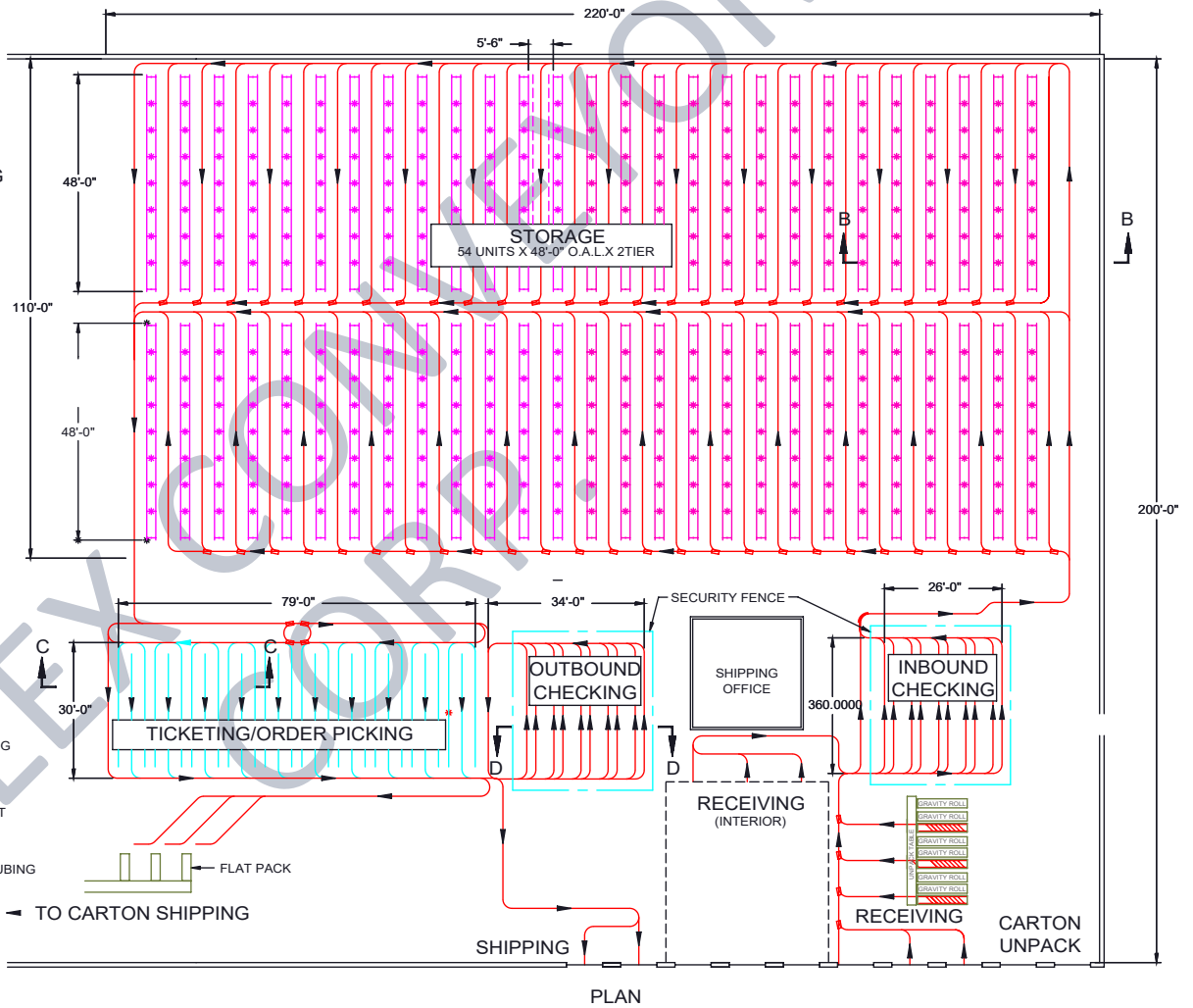


ELEVATION D-D

1/8" = 1'-0"



CAPACITY: (AS SHOWN)
 54 UNITS 48'-0" OAL X 2 TIER = 10,368 LIN FT OF HANGING
 GARMENTS @ 14 PER /FT = 145,000 PCS
 SQUARE FOOTAGE APPROX 75,000 WITH A 3'-6" CLEAR AISLE BWT GARMENTS



| | |
|--|---|
| DESCRIPTION: | RAILEX SYSTEM 200 TYPICAL CLOTHING DISTRIBUTION CENTER LAYOUT 2 (MULTI-LEVEL) |
| DWG. # | 96009 |
| NOTICE: THIS DRAWING AND DESIGN IS THE SOLE PROPERTY OF RAILEX CORP. | |

RAILEX Corp.
 RAILEX CONVEYOR CORPORATION
 T. 718-845-5454
 railex@railexcorp.com
 www.railexcorp.com