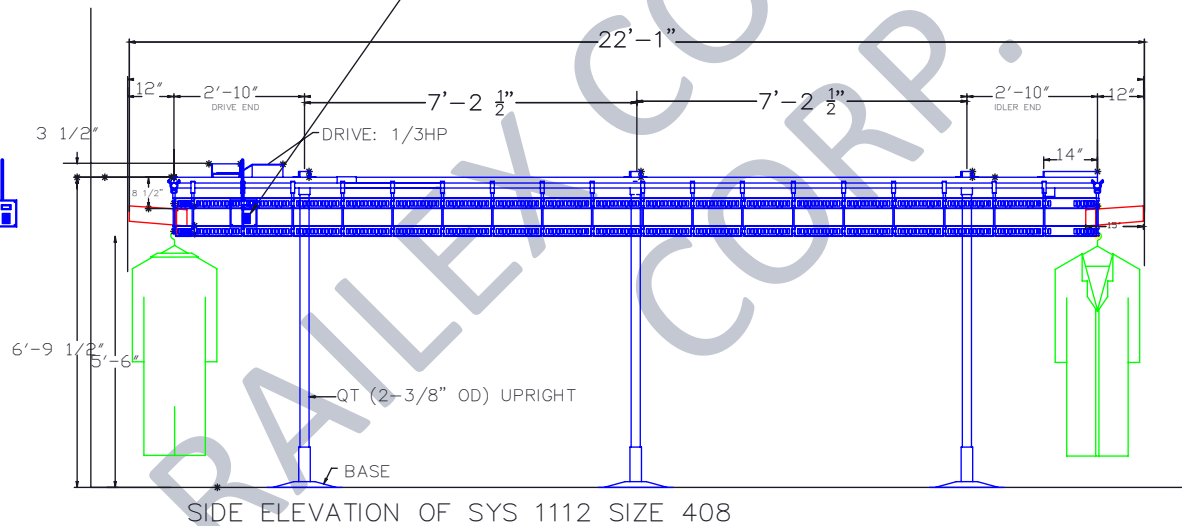


BASE DETAIL  
400 SQ. IN.  
2.77 SQ. FT.



1—SYSTEM 1112 SIZE 408 PROVIDES:  
408 POSITIONS ON  
36'-10" HANGING SPACE

NOTE: HEAVY WINTER COATS WILL  
REDUCE CAPACITY BY UP TO 30%

NOTE: PROVIDE DISCONNECT SWITCH  
OR CIRCUIT BREAKER  
APPROX. 5'-0" A.F.F.  
AT LOCATION CONVENIENT  
TO OPERATOR

DESCRIPTION:

RAILEX SYSTEM 1112-408 CONVEYOR FOR GARMENT STORAGE

DWG. #

1112-408

NOTICE: THIS DRAWING AND DESIGN IS THE SOLE PROPERTY OF RAILEX CORP.

**RAILEX** Corp.

RAILEX CONVEYOR CORPORATION

T. 718-845-5454

railex@railexcorp.com

www.railexcorp.com