

# System 430

## Continuous Tube Conveyor

### PENDANT DOWN

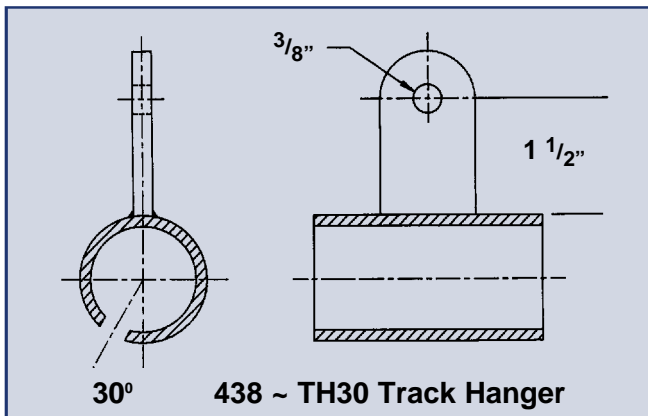


### Features of The System 430

- ♦ Enclosed Track, Zinc Plated or Stainless Steel.
- ♦ Stainless Steel Turns, Hardened & Machined slot.
- ♦ Hardened *Corrosion Resistant* Links & Pendants.
- ♦ Combined Link & Pendant.
- ♦ Torque Limiter Overload Protection, Chain Pull - 500 lbs.
- ♦ Temperatures to 300° F., Humidity to 100%



Illustrated with  
Standard Screw  
Take-up



### STAINLESS STEEL CURVES

Hardened, Machined Slot

