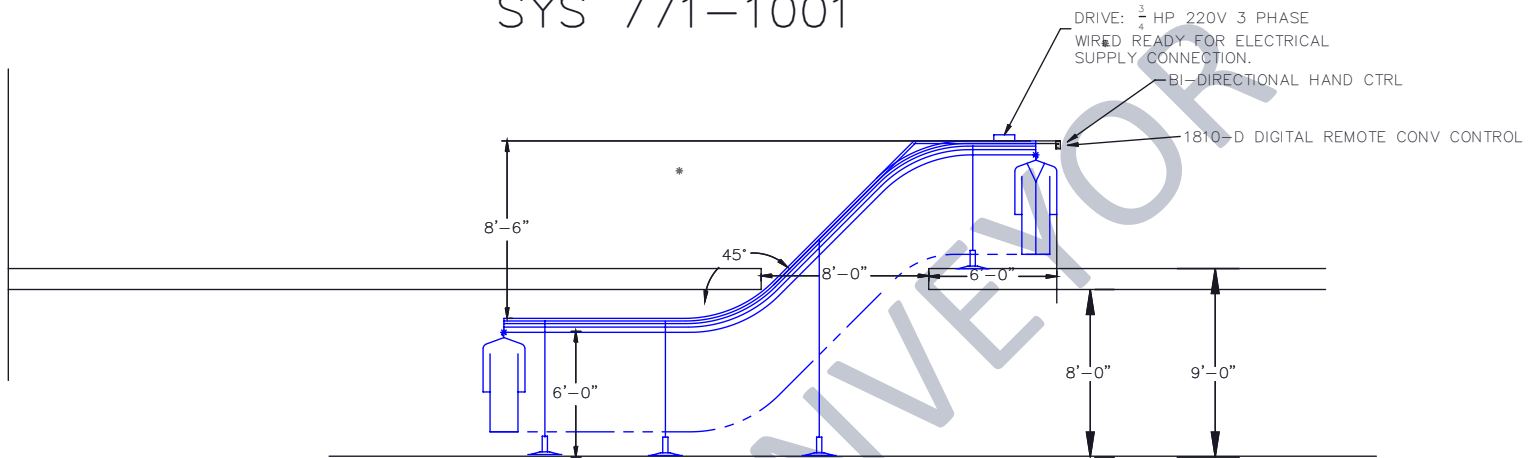
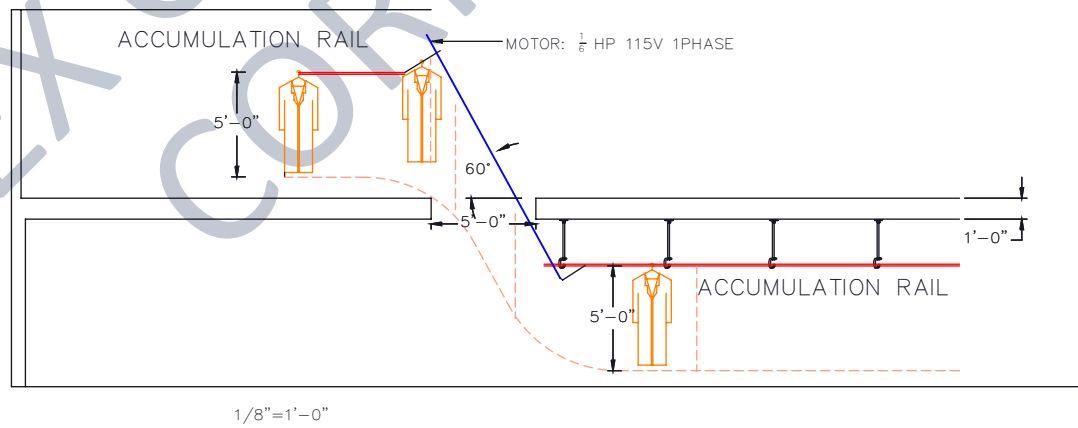


# SYS 771-1001



# SYS 520 GARMENT CONVEYOR



|  |   |
|--|---|
| <b>DESCRIPTION:</b>  | RAILEX SYSTEM 520 VS 771 CONVEYOR FOR DRY CLEANERS (ELEVATION VIEW) |
| <b>DWG. #</b>  | 02190   |
| NOTICE: THIS DRAWING AND DESIGN IS THE SOLE PROPERTY OF RAILEX CORP. |   |

**RAILEX**<sup>®</sup> Corp.

RAILEX CONVEYOR CORPORATION  
 T. 718-845-5454  
 railex@railexcorp.com  
 www.railexcorp.com