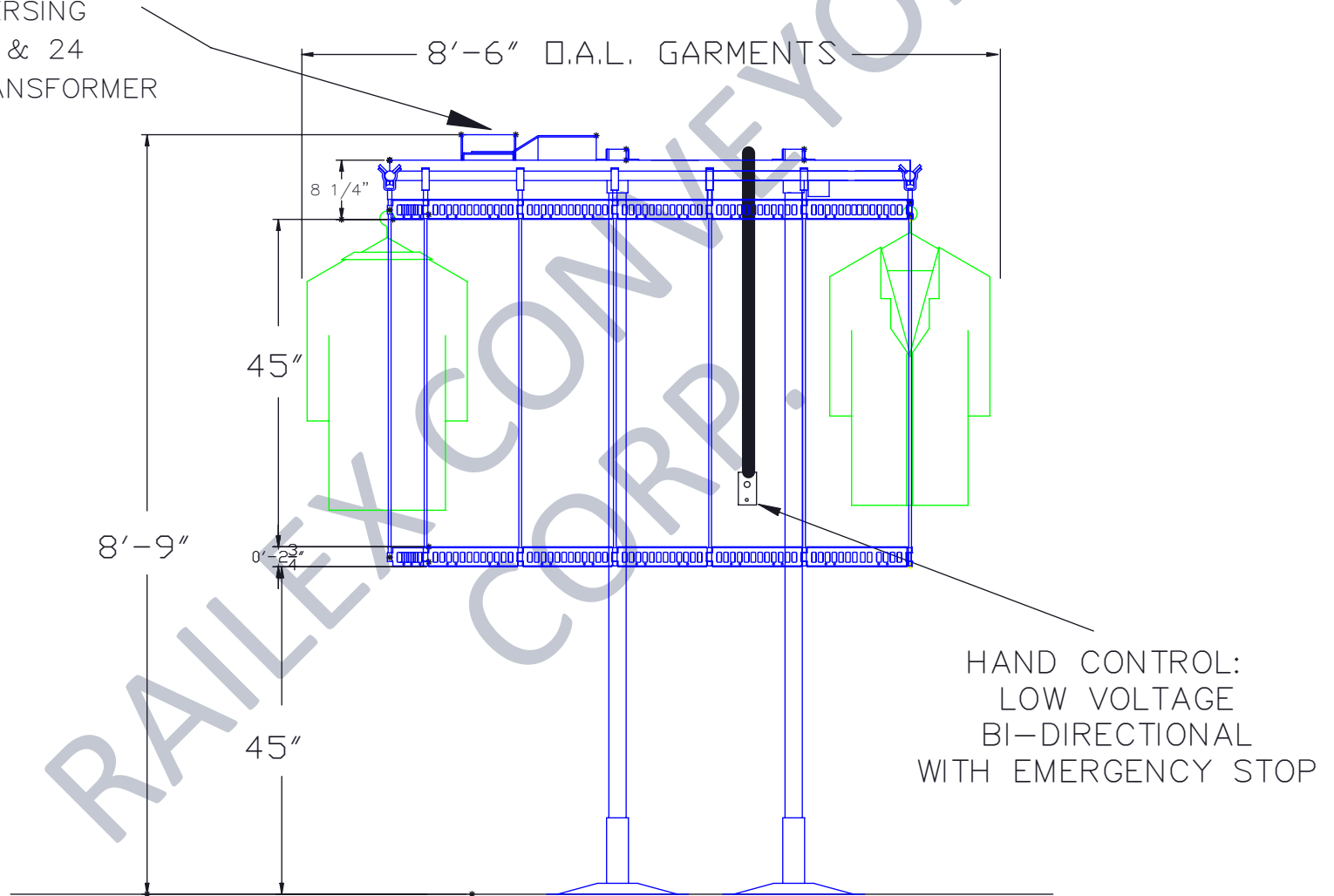


DRIVE UNIT:
 1/2 H.P. 115 V. 1PH.
 ASSEMBLY INCLUDES;
 MOTOR REVERSING
 CONTACTOR & 24
 V. NEC CL 2 TRANSFORMER

NOTE: PROVIDE DISCONNECT SWITCH
 OR CIRCUIT BREAKER APPROX. 5'-0"
 A.F.F. AT LOCATION CONVENIENT TO
 OPERATOR



DESCRIPTION:	RAILEX SYSTEM 742-736 CONVEYOR FOR GARMENT STORAGE (ELEVATION VIEW)	<p>RAILEX[®] Corp.</p> <p>RAILEX CONVEYOR CORPORATION T. 718-845-5454 railex@railexcorp.com www.railexcorp.com</p>
DWG. #	742-336	
NOTICE: THIS DRAWING AND DESIGN IS THE SOLE PROPERTY OF RAILEX CORP.		