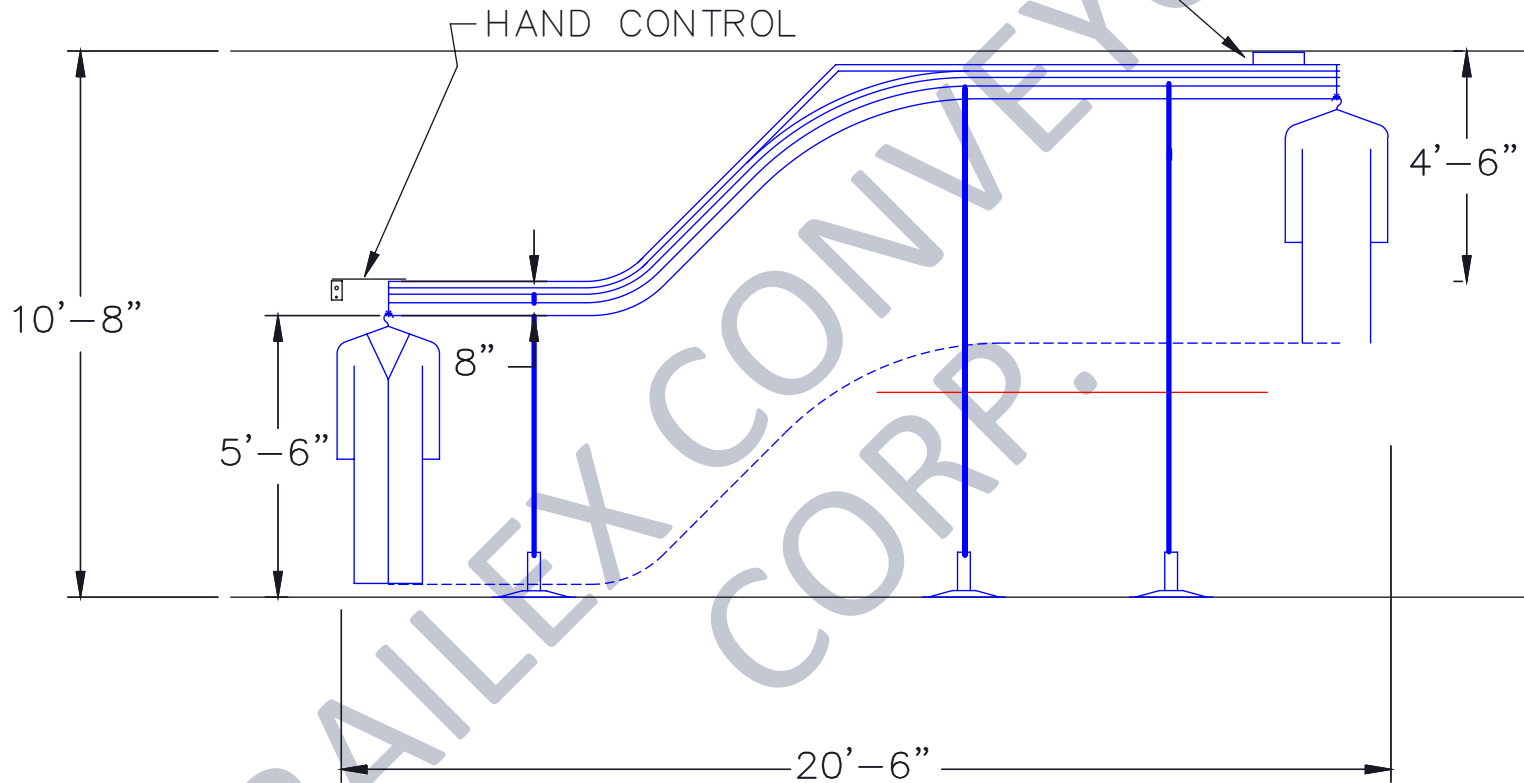


RAILEX SYSTEM 771 SIZE 429

DRIVE:
1/2 H.P., 115V. 1 PH.



DESCRIPTION:	RAILEX SYSTEM 771-429 CONVEYOR FOR GAMENT STORAGE	<p>RAILEX[®] Corp.</p> <p>RAILEX CONVEYOR CORPORATION T. 718-845-5454 railex@railexcorp.com www.railexcorp.com</p>
DWG. #	05200	
NOTICE: THIS DRAWING AND DESIGN IS THE SOLE PROPERTY OF RAILEX CORP.		