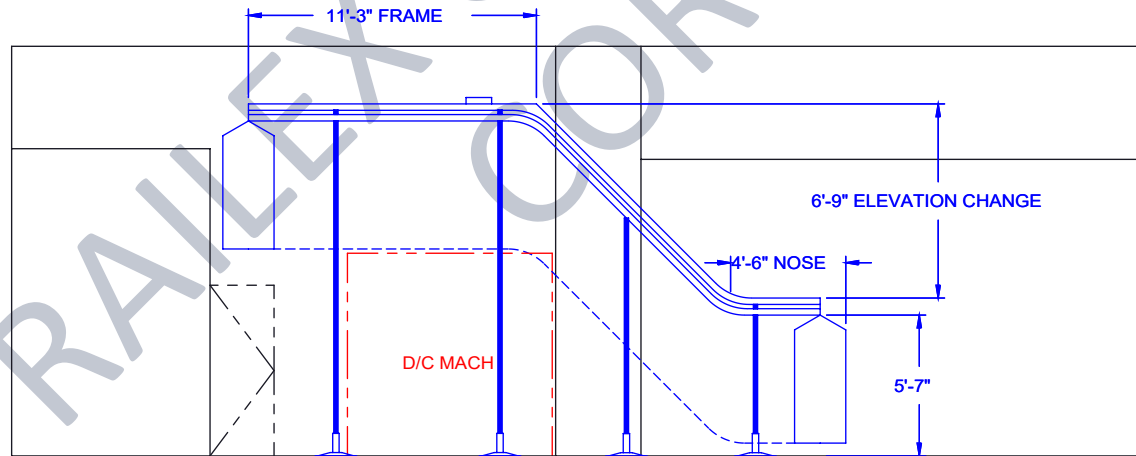


PLAN



ELEVATION

DESCRIPTION:	RAILEX SYSTEM 771 CONVEYOR FOR GARMENT STORAGE J SHAPE
DWG. #	90040
NOTICE: THIS DRAWING AND DESIGN IS THE SOLE PROPERTY OF RAILEX CORP.	



RAILEX CONVEYOR CORPORATION
 T. 718-845-5454
 railex@railexcorp.com
 www.railexcorp.com