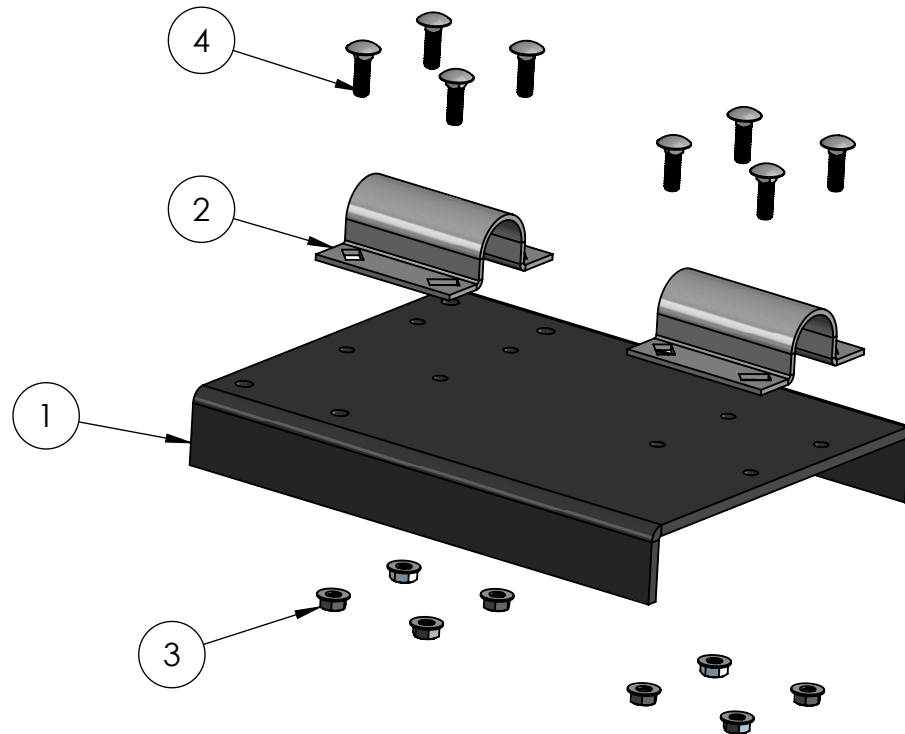


| ITEM NO. | PART NUMBER | DESCRIPTION                         | QTY. |
|----------|-------------|-------------------------------------|------|
| 1        | 321-12560   | GEARMOTOR MOUNTING PLATE .33HP      | 1    |
| 2        | KX-S KT     | CORSS BRACE CLAMP 2-WAY             | 2    |
| 3        | FSN3118     | HDW NUT 5/16-18 FLANGED             | 8    |
| 4        | FC3110      | HDW M.S 5/16"-18 X 1" CARRIAGE ZINC | 8    |



**DESCRIPTION:**

321 DRIVE SUPPORT WITH CLAMPS

**PART NUMBER:**

321-038

NOTICE: THIS DRAWING AND DESIGN IS THE SOLE PROPERTY OF RAILEX CORP.

**RAILEX™**

RAILEX CONVEYOR CORPORATION