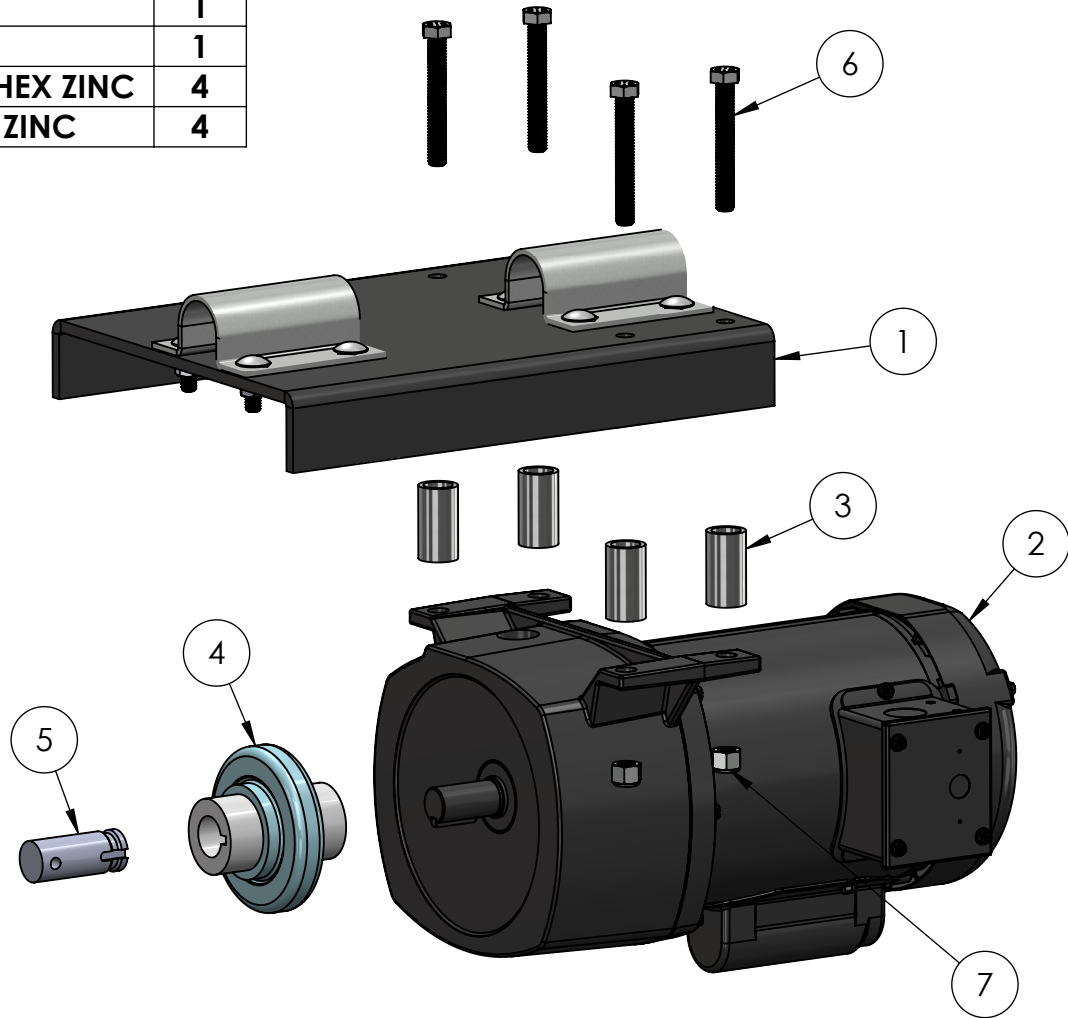


ITEM NO.	PART NUMBER	DESCRIPTION	QTY.
1	321-038	DRIVE SUPPORT WITH CLAMPS	1
2	321-11305	GEARMOTOR 1/3HP 1 PH	1
3	321-12561	GEARMOTOR SPACER	4
4	321-125	TQ LIMITER 3/4" X 7/8"	1
5	321-12558	TQ LIMITER COUPLING	1
6	X1123	HSW M.S 3/8-16 X 2-3/4" HEX ZINC	4
7	X1041	HDW NUT 3/8-16 HEX ESN ZINC	4



DESCRIPTION:

321 DRIVE 1/3 HP 115V 15 FPM ASSEMBLY

PART NUMBER:

321-113

NOTICE: THIS DRAWING AND DESIGN IS THE SOLE PROPERTY OF RAILEX CORP.

RAILEX™

RAILEX CONVEYOR CORPORATION