

RAILEX PPE: ROLLING, STATIONARY, AND CEILING SUPPORTED GUARDS

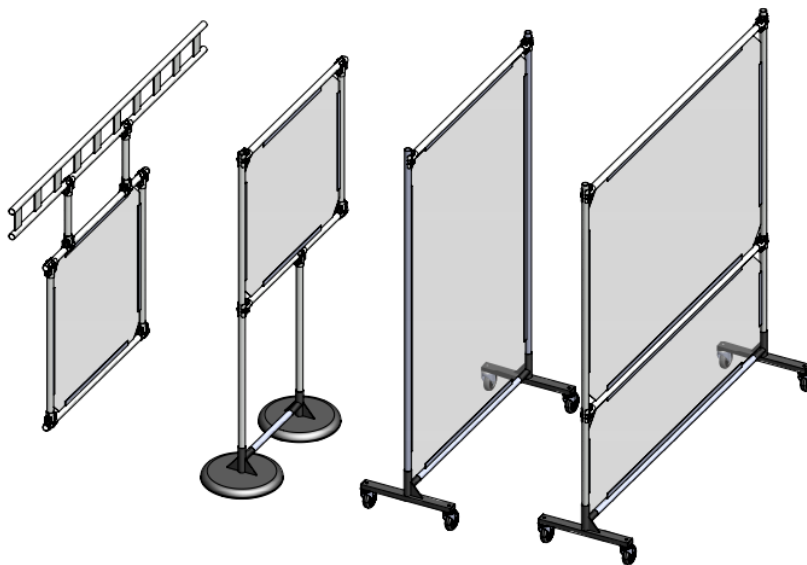
Since 1954 Railex Conveyor Corp. has been a leader in the manufacturing of material handling equipment. We have thousands of installations across the country. Part of our expertise is in rolling stock and ceiling suspended systems. In response to the COVID-19 pandemic we have leveraged that expertise and experience to develop our line of PPE Guards. These guards are made in three standard configurations:

- Rolling guards with locking casters that can easily be moved and re-configured. Ideal for situations where you need to constantly move or re-arrange the guards.
- Floor based guards for applications where you do not need to move them often. Ideal for line formation, separation control, or crowd control.
- Ceiling-suspended guards installed where you want them with no floor supports. These installations are often used in production areas so that the floors can remain open and free to move and handle material or wash-down at the end of a shift.

All prices are for a galvanized and painted steel frames with rugged plastic guards. Our steel tube and connectors are heavy duty 14 ga and 11 ga materials. The optically clear resin composite is extremely tough. Please see our video on our YouTube channel of the plastic guard successfully surviving “The 2 x 4 whack test” so you can see the quality and durability of these guards. Prices listed are for single units. For quantity discounts please contact us.

If you need a configuration we don't show please contact us. We can make virtually any shape or style you need. We can also brand the shields by providing the plastic with your name or logo printed onto it.

Railex can supply any of these products in stainless steel. Please contact us for details, pricing, and lead times.



Railex Conveyor Corp.

15 Ralph Ave

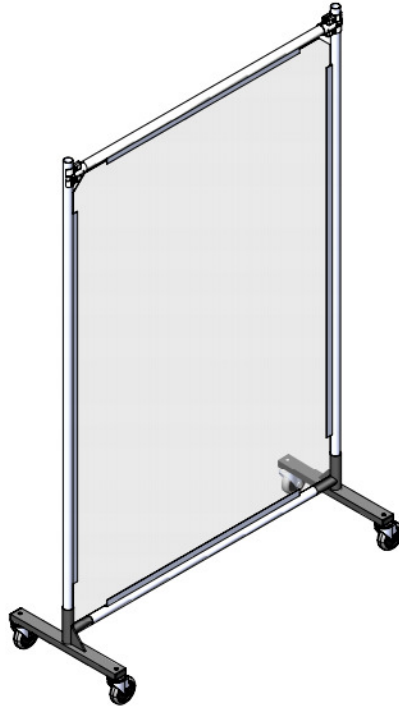
Copiapue NY, 11726

T: 718-845-5454

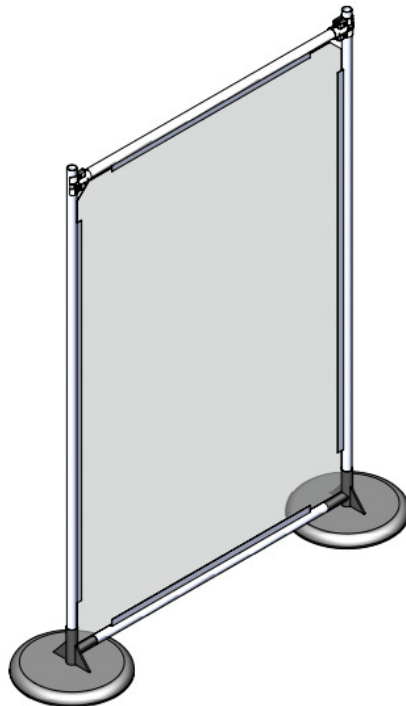
www.railexcorp.com

www.railexfaceshield.com

1. 1350-4W6T-F: A fully shielded mobile guard that is 4' wide x 6' 6" tall with two locking casters



2. 1370-4W6T-F: A fully shielded base supported guard that is 4' wide x 6' 6" tall



Railex Conveyor Corp.

15 Ralph Ave

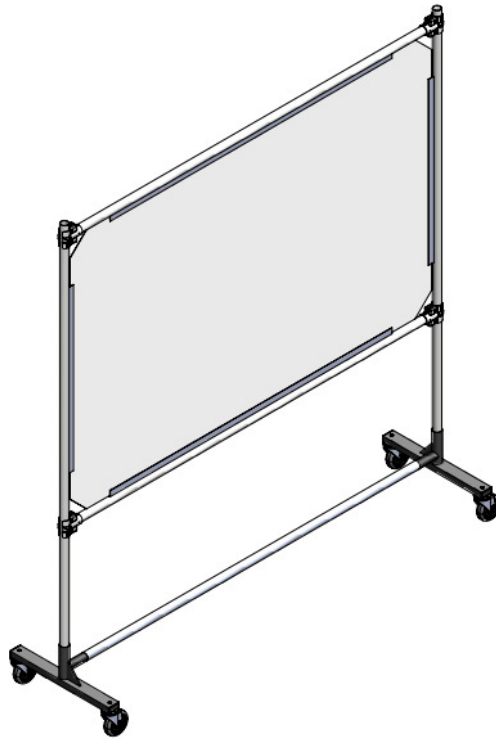
Copogue NY, 11726

T: 718-845-5454

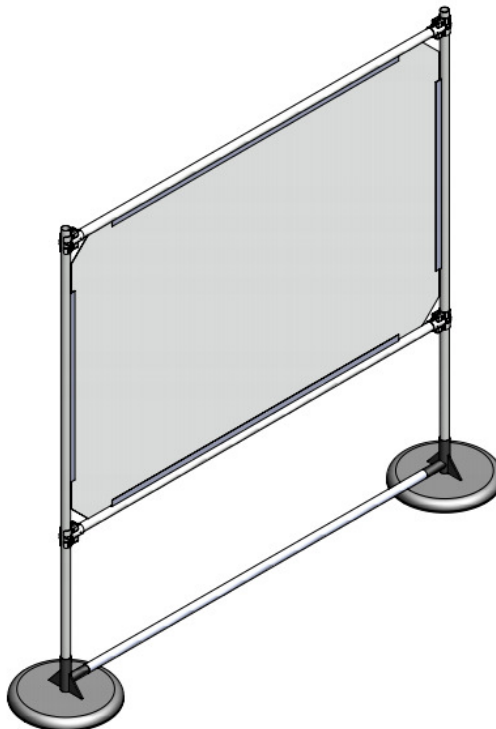
www.railexcorp.com

www.railexfaceshield.com

3. 1350-6W6T-T: A top shielded mobile guard that is 6' wide x 6' 6" tall. The plastic guard is on the upper 4' only. The bottom area is open. Shipped with 2 locking casters.



4. 1370-6W6T-T: A top shielded base supported guard that is 6' wide x 6' 6" tall. The plastic guard is on the upper 4' only. The bottom area is open.



Railex Conveyor Corp.

15 Ralph Ave

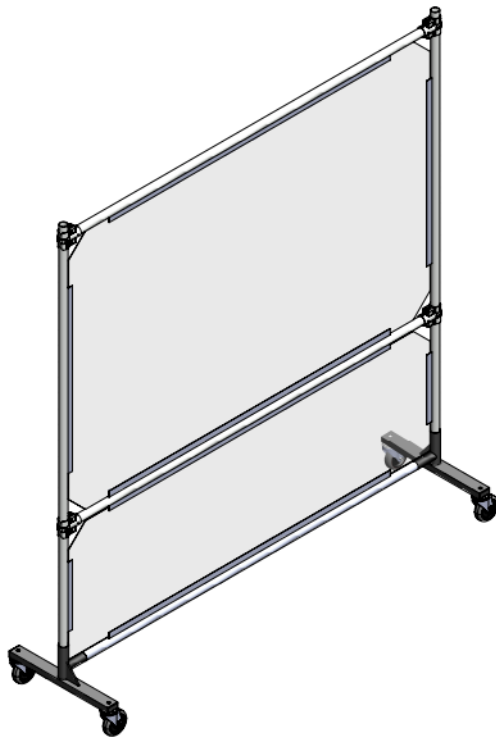
Copogue NY, 11726

T: 718-845-5454

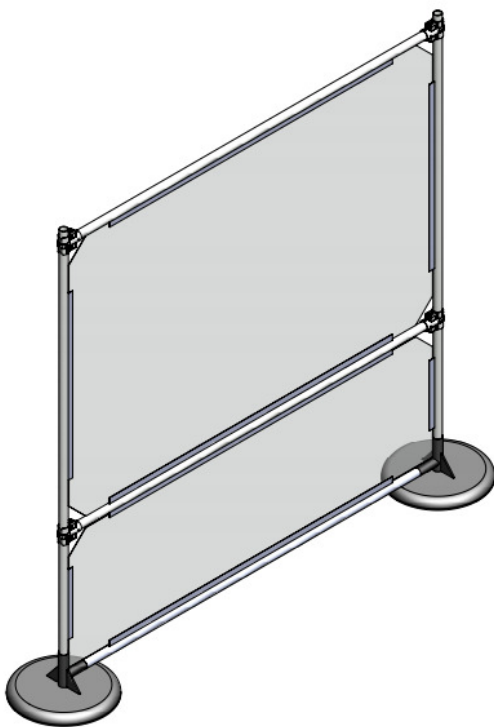
www.railexcorp.com

www.railexfaceshield.com

5. 1350-6W6T-F: A fully shielded mobile guard that is 6' wide x 6' 6" tall. Shipped with 2 locking casters.



6. 1370-6W6T-T: A fully shielded base supported guard that is 6' wide x 6' 6" tall.



Railex Conveyor Corp.

15 Ralph Ave

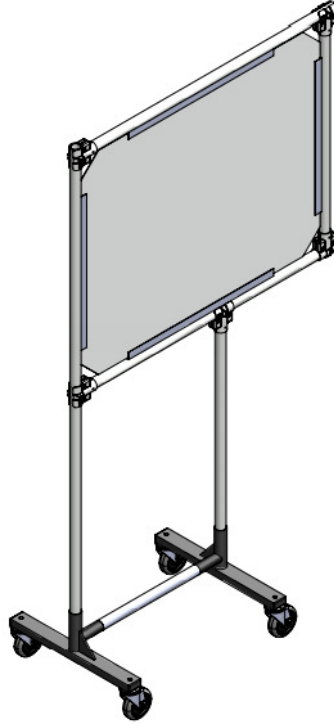
Copogue NY, 11726

T: 718-845-5454

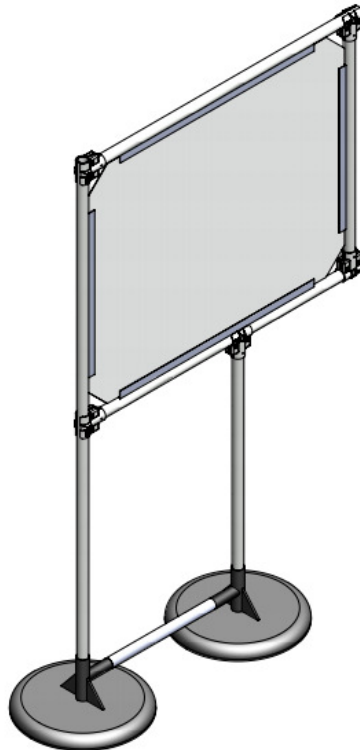
www.railexcorp.com

www.railexfaceshield.com

7. 1350-3W6T-C: A cantilever mobile guard that has a shielded area of 3' 6" wide x 3' tall. The base is 2' wide. Shipped with 2 locking casters. Ideal for situations where line workers are shoulder-to-shoulder working over a work table or conveyor.



8. 1370-3W6T-C: A cantilever base supported guard that has a shielded area of 3' 6" wide x 3' tall. The base is 2' wide. Ideal for situations where line workers are shoulder-to-shoulder working over a work table or conveyor.



Railex Conveyor Corp.

15 Ralph Ave

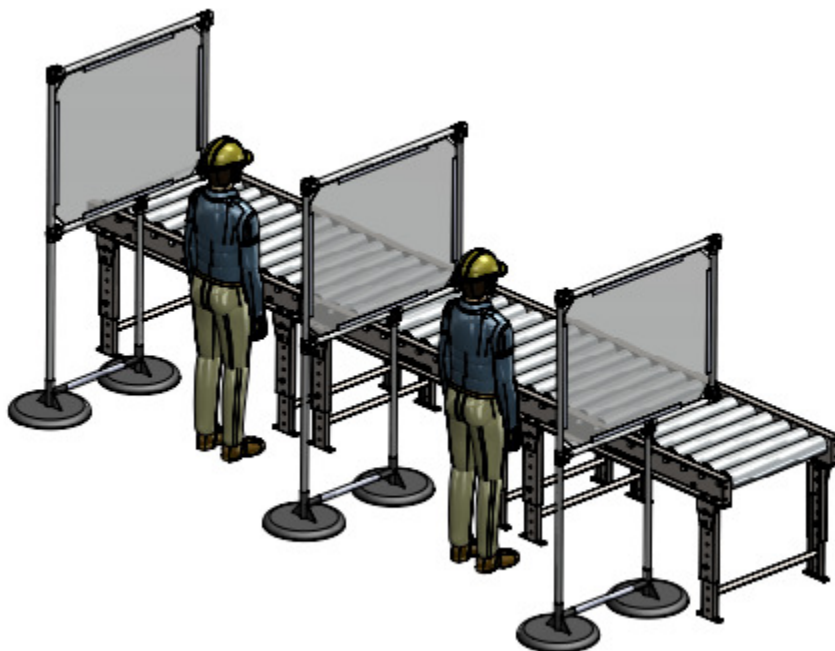
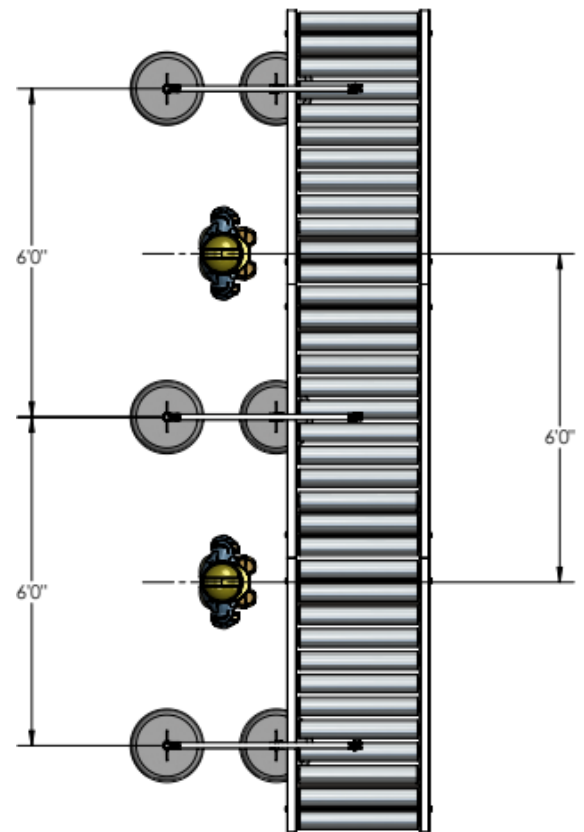
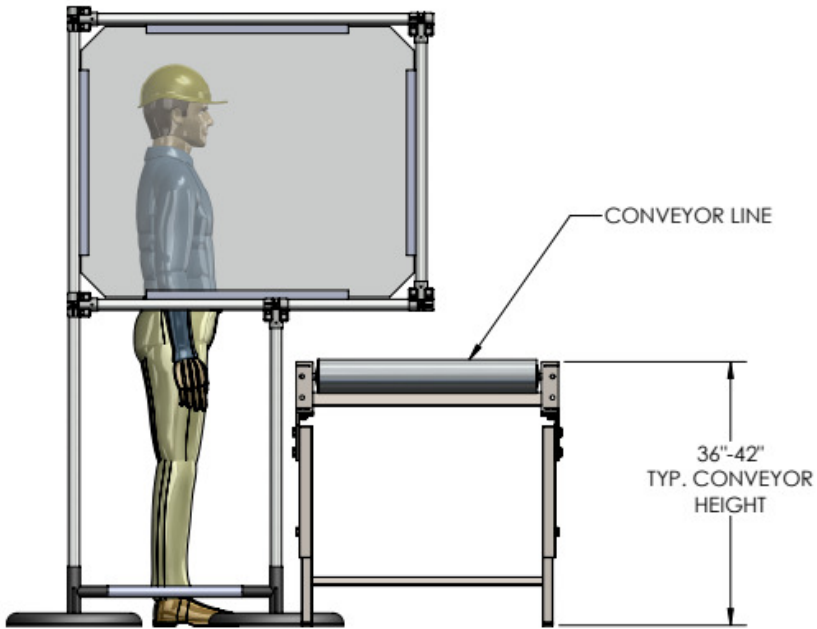
Copiague NY, 11726

T: 718-845-5454

www.railexcorp.com

www.railexfaceshield.com

8. 1370-3W6T-C: Cantilever base supported guard reference images.



Railex Conveyor Corp.

15 Ralph Ave

Copiapue NY, 11726

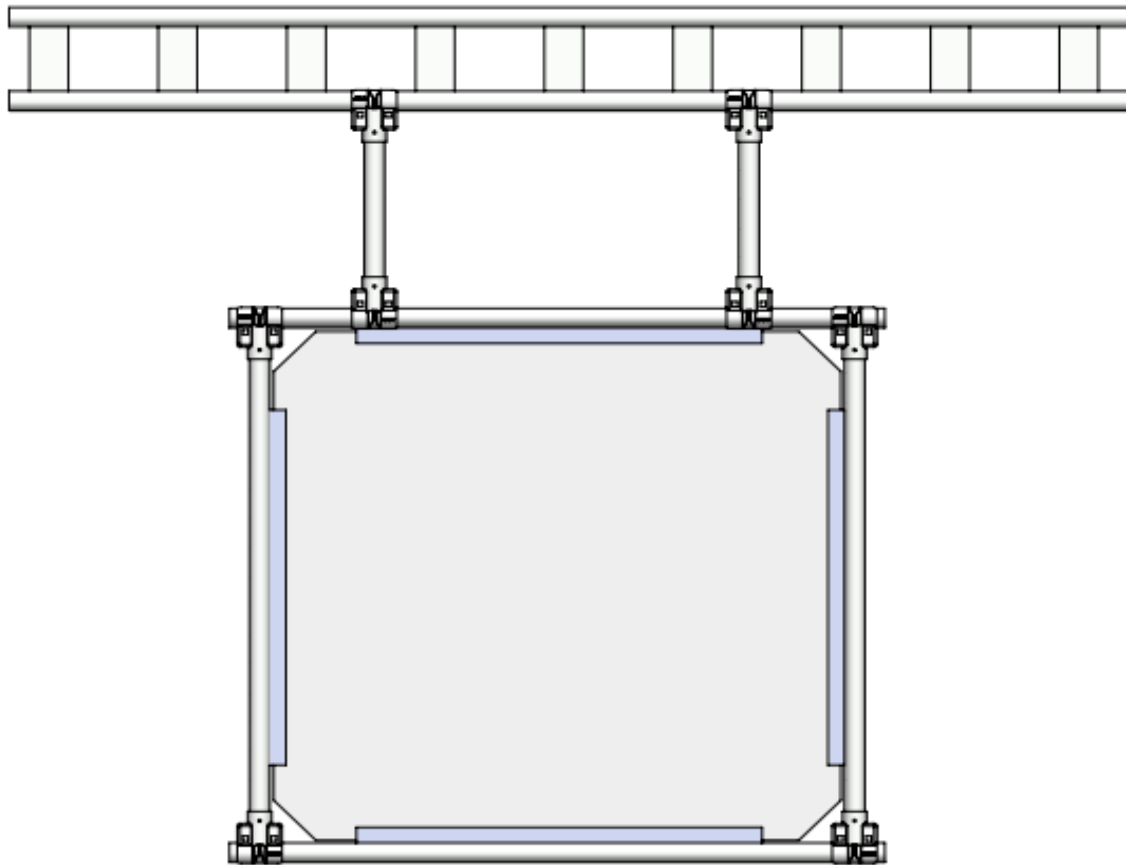
T: 718-845-5454

www.railexcorp.com

www.railexfaceshield.com

9. 1380-4W3T-CS: A ceiling suspended guard that has a shield area of 3' 6" wide x 3' tall. This guard is suspended with Railex hardware from virtually any ceiling. We will supply all hardware and material for a complete installation. We can also supply a fully installed price anywhere in the US or Canada. Our installation crews cover the country. Railex manufactures and stocks all the hardware, fittings, headers, and tube to install this guard or ANY size guard from virtually any ceiling in any facility.

- Suspension system is quoted by the job with or without installation.



Railex Conveyor Corp.

15 Ralph Ave

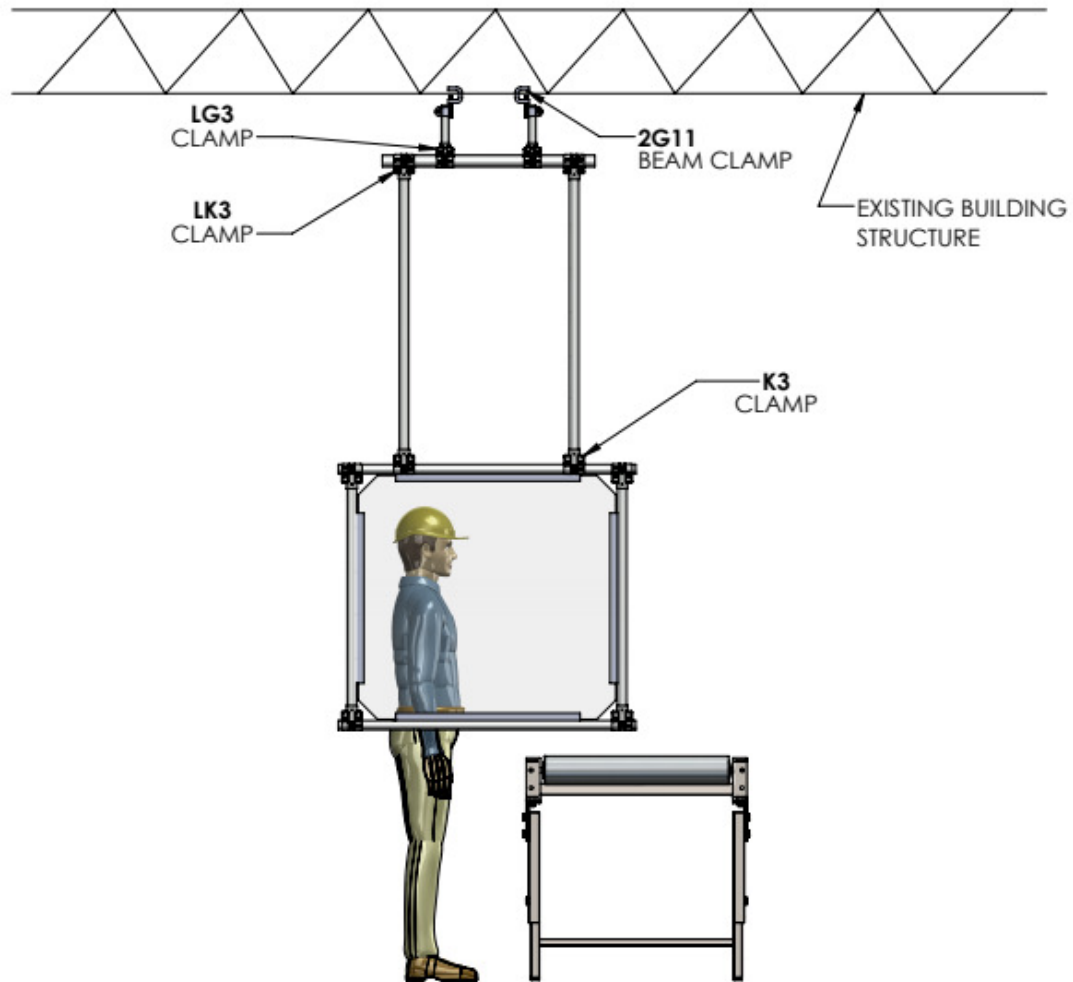
Copogue NY, 11726

T: 718-845-5454

www.railexcorp.com

www.railexfaceshield.com

9. 1380-4W3T-CS: Ceiling suspended guard typical installation



**Railex initially got involved in the fight against coronavirus by making Face Shields.
To learn more or to buy our face shields go to www.railexfaceshield.com**



Railex Conveyor Corp.

15 Ralph Ave

Copague NY, 11726

T: 718-845-5454

www.railexcorp.com

www.railexfaceshield.com

Subscribe to our
You Tube Channel

