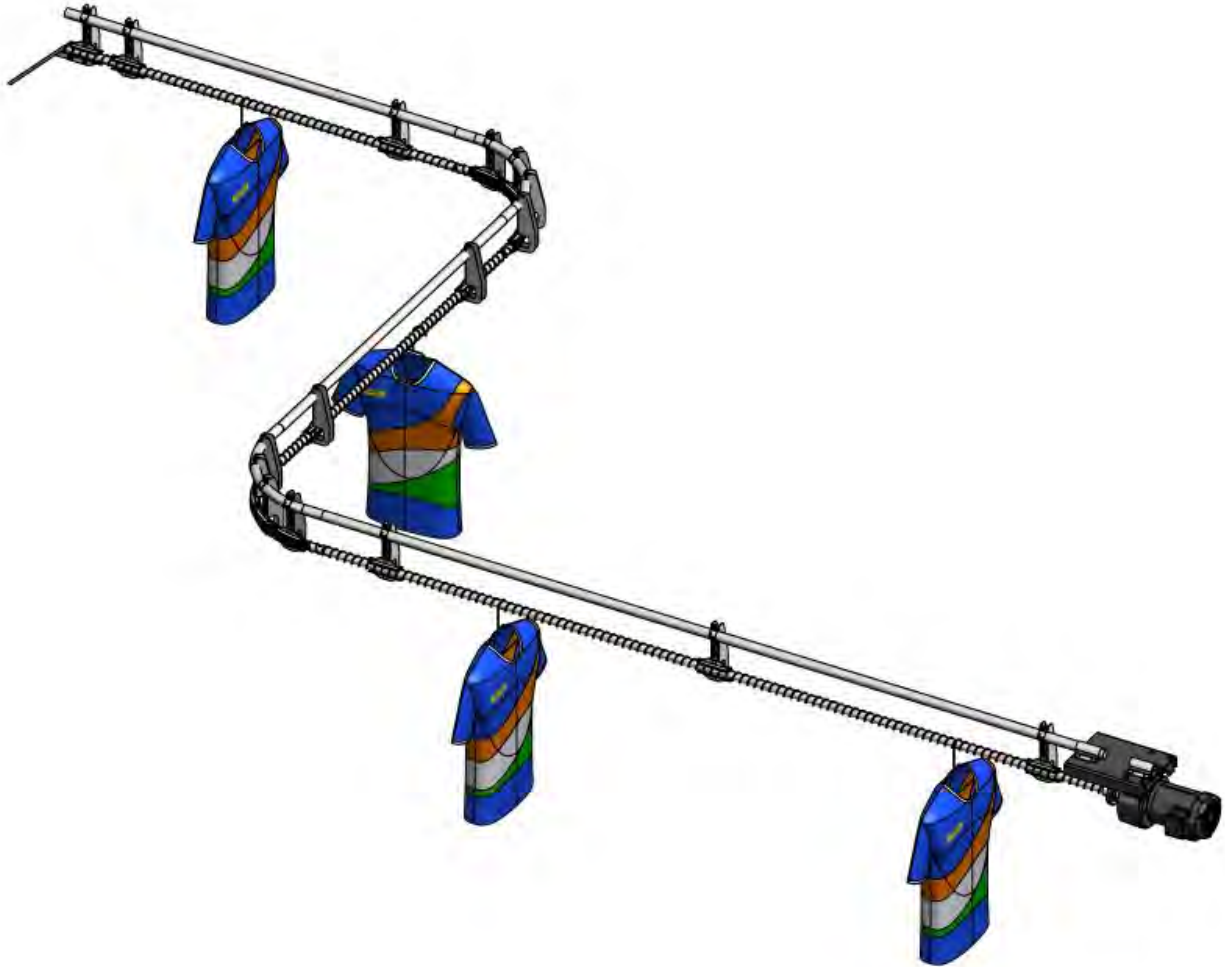


RAILEX SYSTEM 321

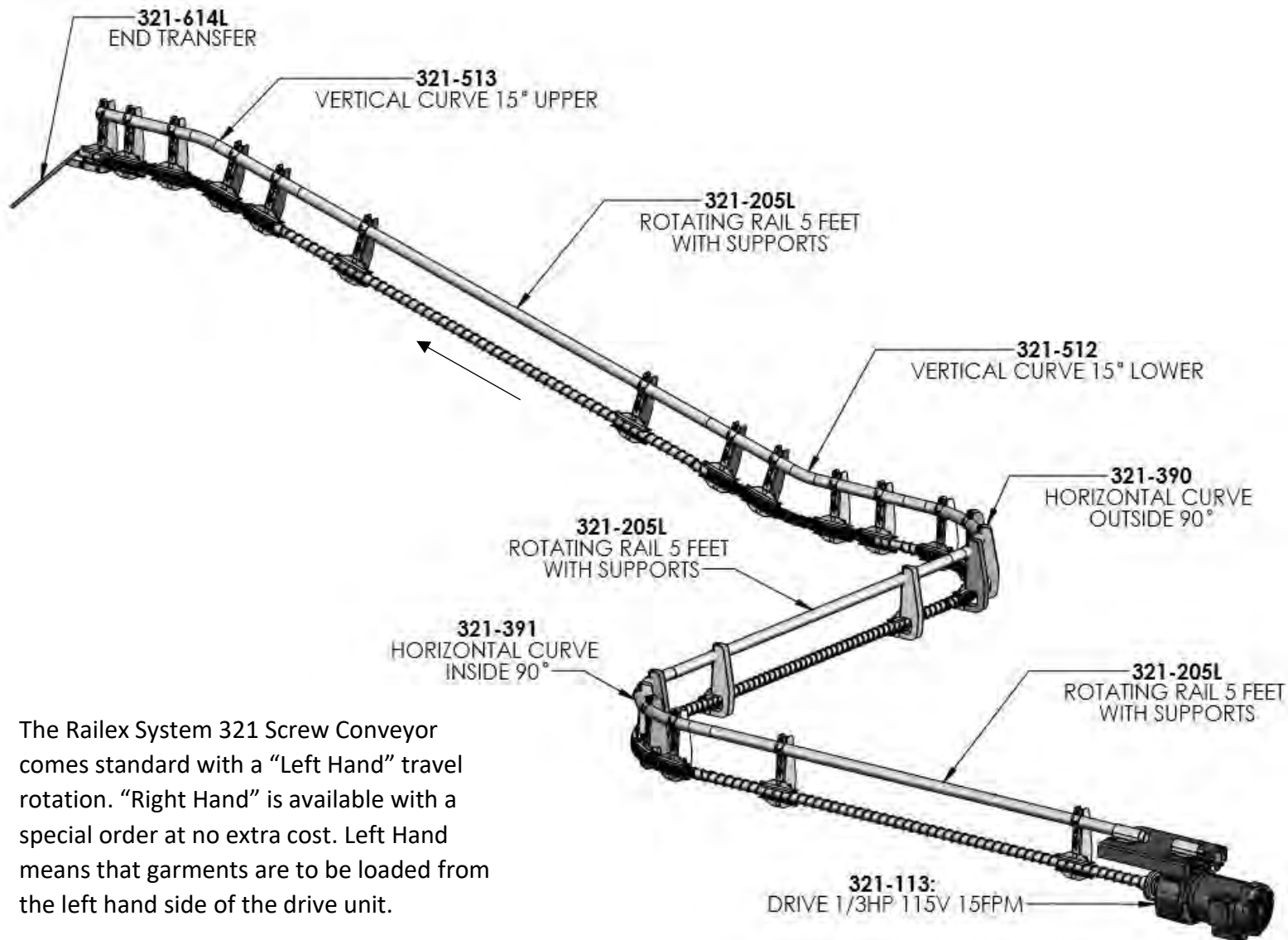
SCREW CONVEYOR



The Railex System 321 Screw Conveyor is designed for conveying garments on wire hangers. It is made from a rotating steel rail and a helix revolving on nylon bearing surfaces. The conveyor moves garments on wire hangers at 15 feet per minute. It is designed to run continuously and allows for the attendants to load and unload the machine at any point along the conveyor. The dynamic design allows the conveyor to be configured to go left, right, up, and down with a maximum length of 150'. This conveyor provides continuous one-way movement and does not require a return loop. This machine is designed to be installed from the ceiling but can also be floor or wall supported.



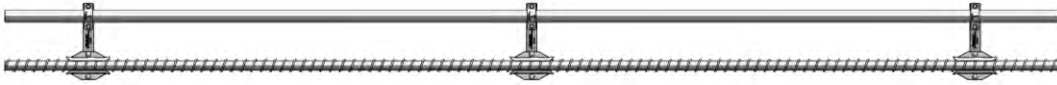


SYSTEM 321 TYPICAL LEFT LAYOUT

The System 321 Screw Conveyor is made up of modular components. By putting the components together the conveyor can run on almost any path needed in your operation. The straight sections come standard in 5' and 10' lengths, however they can be supplied in lengths as short as 5". The conveyor terminates with an end transfer that will discharge GOH onto a slick rail or another conveyor at the end of the line.



The Railex System 321 Screw Conveyor comes standard with a "Left Hand" travel rotation. "Right Hand" is available with a special order at no extra cost. Left Hand means that garments are to be loaded from the left hand side of the drive unit.

SYSTEM 321 COMPONENTS LIST

ITEM DESCRIPTION	
DRIVE 1/3HP 115V 15FPM	
	
PART NUMBER: 321-113	
ROTATING RAIL 5 FEET WITH SUPPORTS AND HEADER	
	
PART NUMBER LEFT: 321-205L	PART NUMBER RIGHT: 321-205R
ROTATING RAIL 10 FEET WITH SUPPORTS AND HEADER	
	
PART NUMBER LEFT: 321-210L	PART NUMBER RIGHT: 321-210R
HORIZONTAL CURVE INSIDE 90°	HORIZONTAL CURVE OUTSIDE 90°
	
PART NUMBER LEFT: 321-391L PART NUMBER RIGHT: 321-391R	PART NUMBER LEFT: 321-390L PART NUMBER RIGHT: 321-390R

HORIZONTAL CURVE INSIDE 45°



PART NUMBER LEFT: 321-341L
PART NUMBER RIGHT: 321-341R

HORIZONTAL CURVE OUTSIDE 45°



PART NUMBER LEFT: 321-340L
PART NUMBER RIGHT: 321-340R

HORIZONTAL CURVE INSIDE 30°



PART NUMBER LEFT: 321-331L
PART NUMBER RIGHT: 321-331R

HORIZONTAL CURVE OUTSIDE 30°



PART NUMBER LEFT: 321-330L
PART NUMBER RIGHT: 321-330R

HORIZONTAL CURVE INSIDE 15°

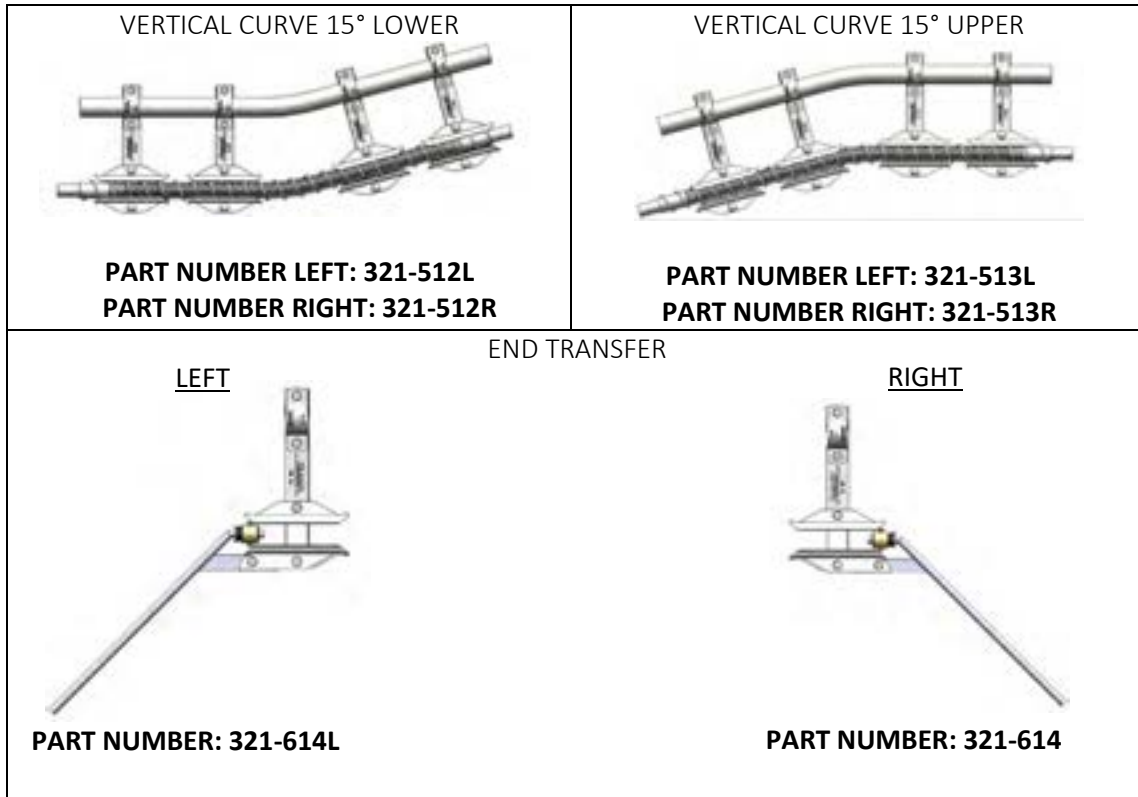


PART NUMBER LEFT: 321-315L
PART NUMBER RIGHT: 321-315R

HORIZONTAL CURVE OUTSIDE 15°



PART NUMBER LEFT: 321-315OL
PART NUMBER RIGHT: 321-315OR

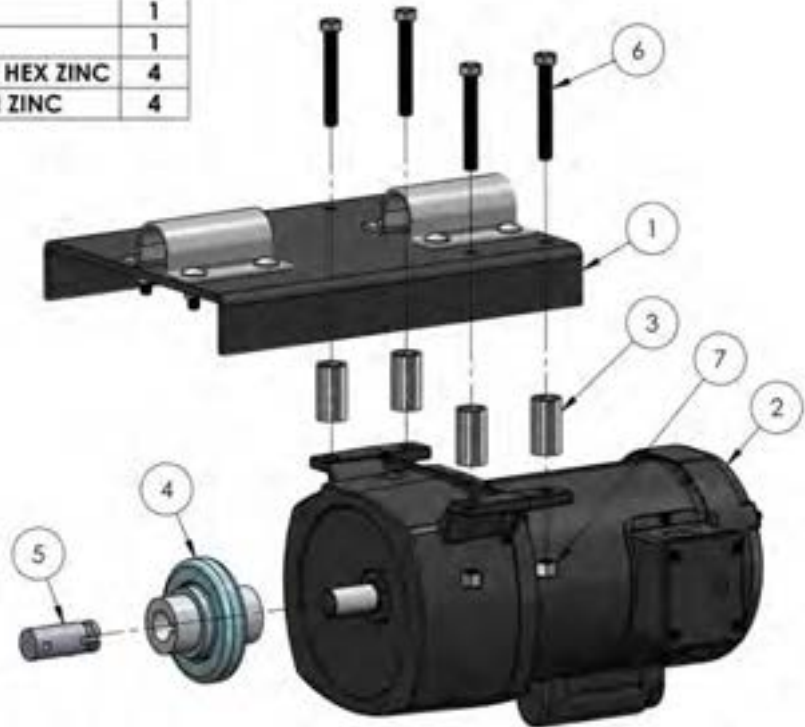


FEATURES AND BENEFITS

- ◆ The Railex System 321 Screw Conveyor is ideal for improving your work-flow by reducing employee movement in your plant. The Screw Conveyor does the work so your employees are not spending time carrying garments or rolling them in racks from work station to work station. The ROI on a screw conveyor is usually less than 1 year in terms of productivity and output.
- ◆ Railex System 321 Conveyor allows garments to be placed on the conveyor or removed off the conveyor at almost any location.
- ◆ All of our curved sections come pre-assembled for fast and easy installation.
- ◆ Railex optical sensors can be designed to allow branch lines of screw conveyors into primary lines.
- ◆ Our team of Engineers can provide solutions for your industry needs.

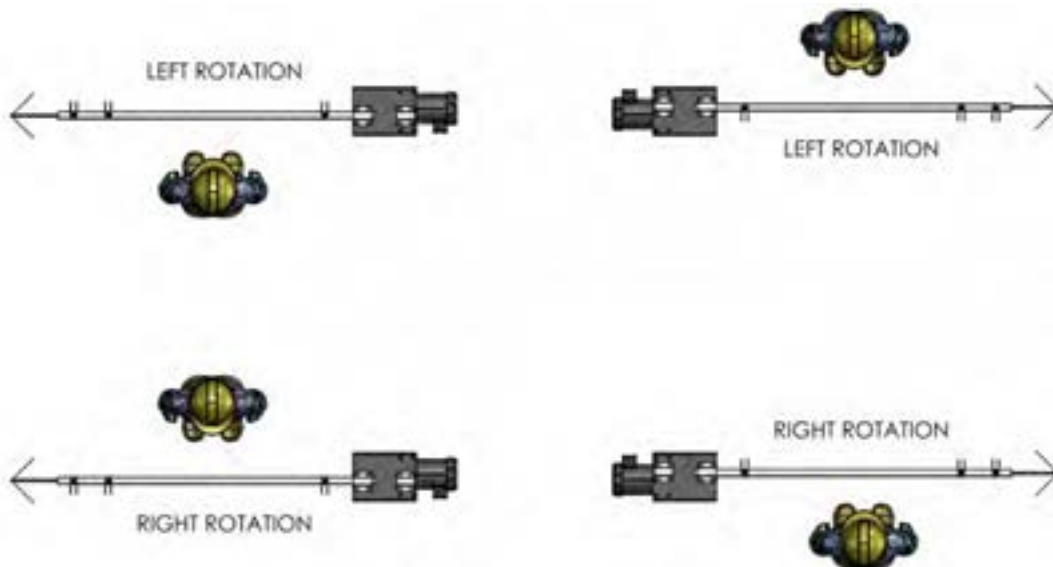
SYSTEM 321 DRIVE UNIT

ITEM NO.	PART NUMBER	DESCRIPTION	QTY.
1	321-038	DRIVE SUPPORT WITH CLAMPS	1
2	321-11305	GEAR MOTOR 1/3HP 1 PH	1
3	321-12561	GEAR MOTOR SPACER	4
4	321-125	TQ. LIMITER 3/4" X 7/8"	1
5	321-12558	TQ. LIMITER COUPLING	1
6	X1123	HDW M.S 3/8-16 X 2-3/4" HEX ZINC	4
7	X1041	HDW NUT 3/8-16 HEX ESN ZINC	4

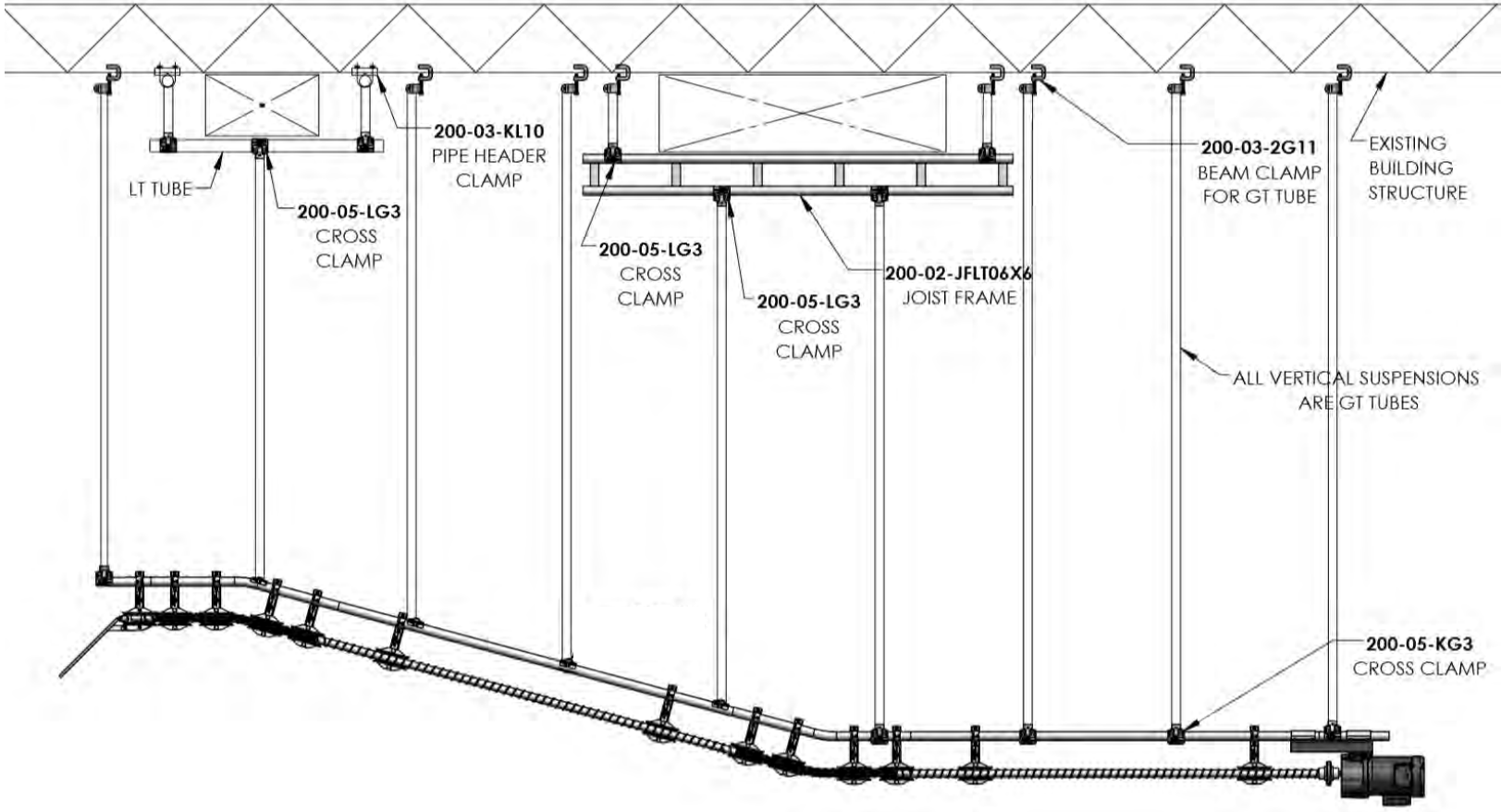


ORDERING INFORMATION

When ordering a 321 please specify if the rotation is right or left rotation. Please use this guide to determine which rotation you need. Over 90% of all rotating rail conveyor lines are left rotation.



SYSTEM 321 GENERAL INSTALL LAYOUT



The Railex System 321 Screw Conveyor is most often suspended from the ceiling. Railex is able to provide a full BOM of all the materials you will need to install your screw conveyor. Our full line of System 200 Slick Rail fittings and tube is ideal for this application. We encourage our clients to send us sketches or prints of what they want to do in their facility, and we will drop the screw conveyor into place in your CAD print or we will create one.

STAY CONNECTED!

