

RAILEX SYSTEM 211

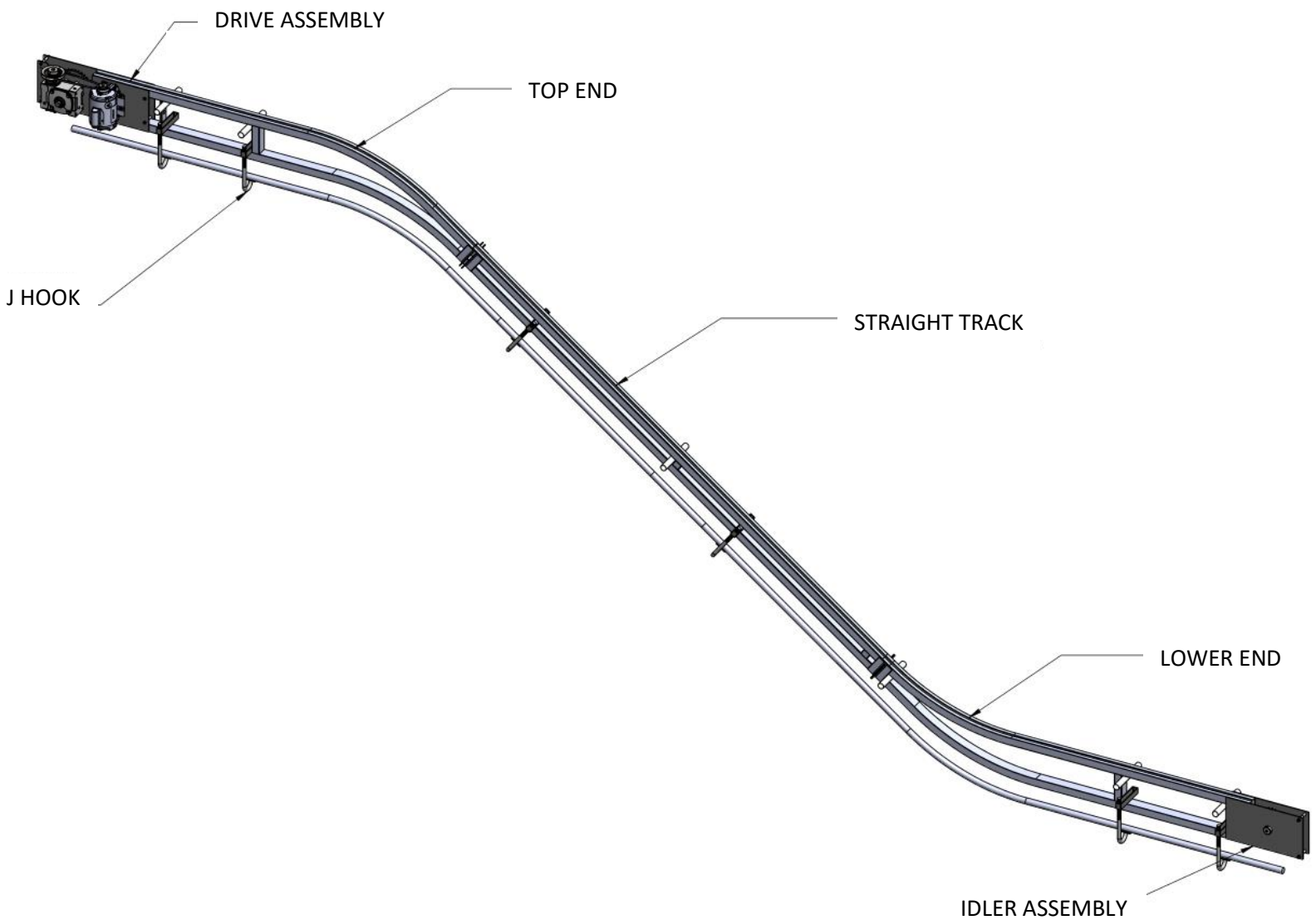
TROLLEY BOOSTER



The System 211 is specifically designed for garment manufacturers, garment distribution centers, and uniform rental; to move trolleys between floors, mezzanine and main floors. Suitable for continuous operation. High capacity, 32 ft. /minute up, down, or both. Elevation changes up to 20' – Incline 30° and 37°. Quiet, lubrication-free operation.

SYSTEM 211 TYPICAL LAYOUT

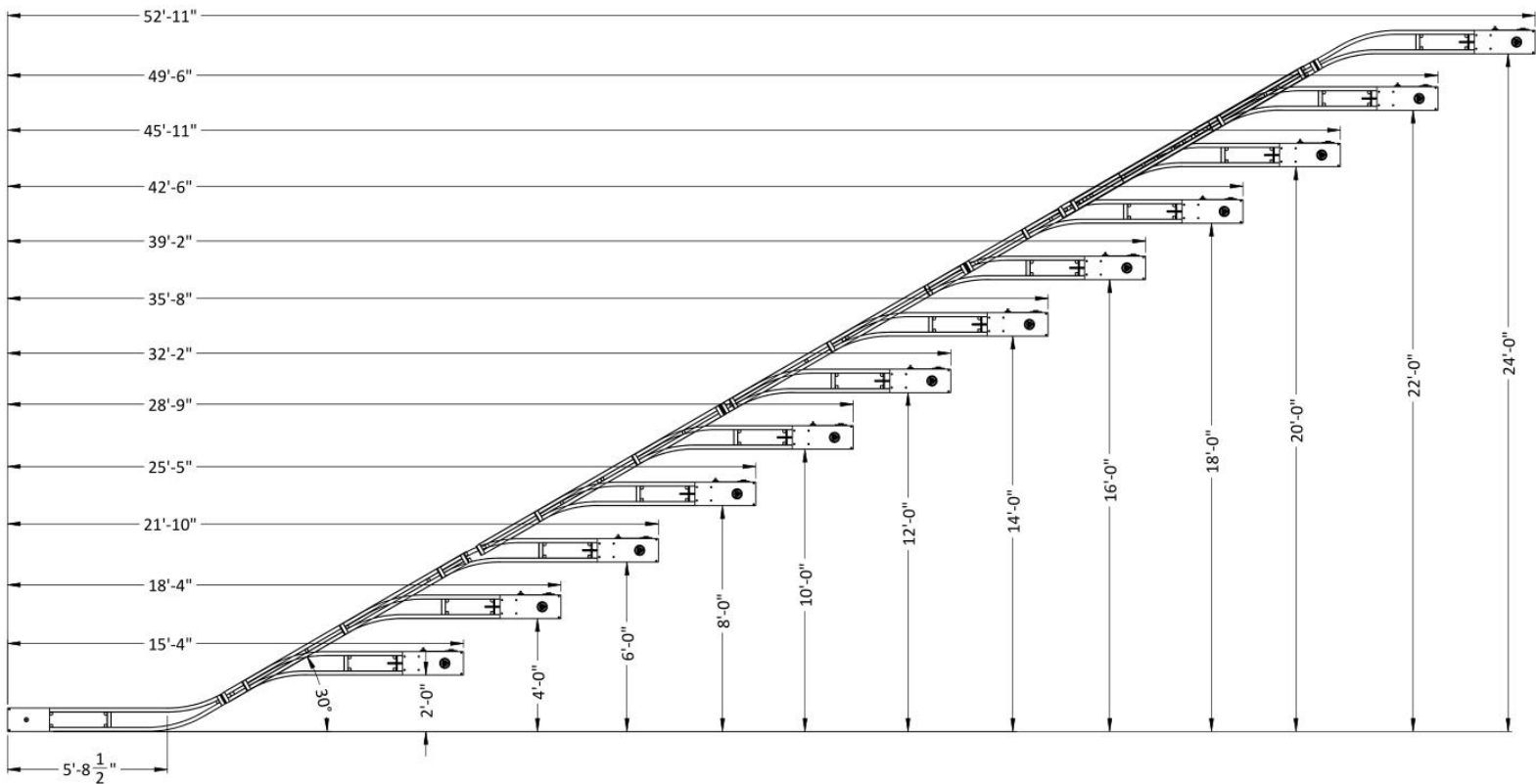
The System 211 Trolley Booster Rail is made up of modular components. By putting the components together the conveyor can run to almost any height needed in your operation. The straight sections come standard in 10' length, however they can be supplied in varying lengths to adapt to your space.



ORDERING INFORMATION

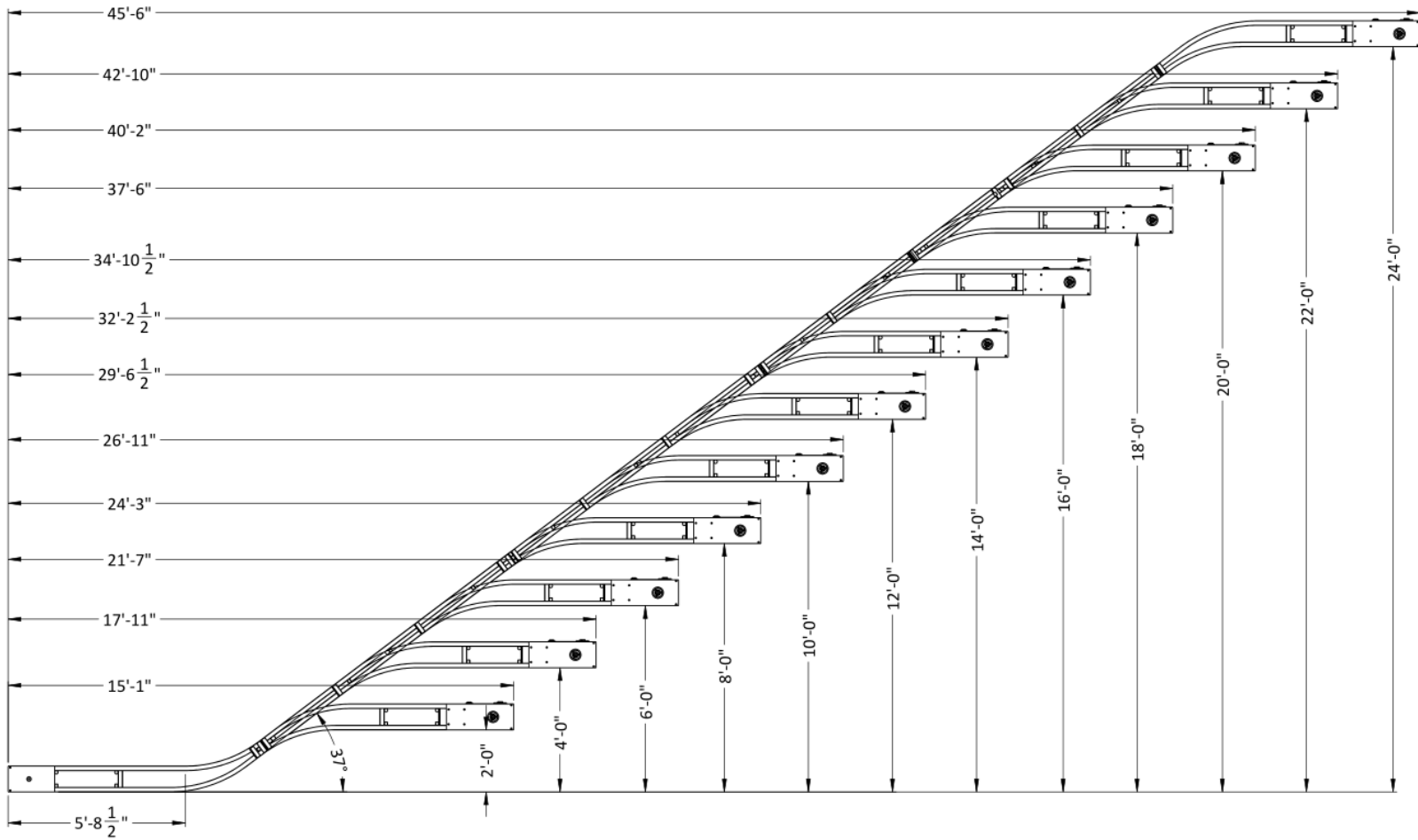
When ordering a 211 please specify the height you are trying to reach. Our engineers can send you a custom design drawing to determine how the unit will fit in your space.

Shown below is the **30°** variant of the 211 trolley booster. This model is industry standard.

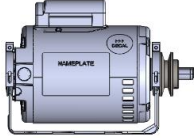
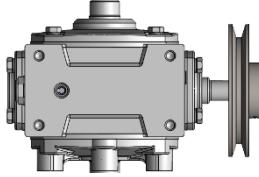
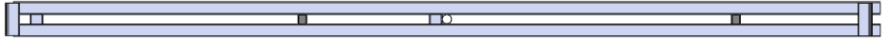
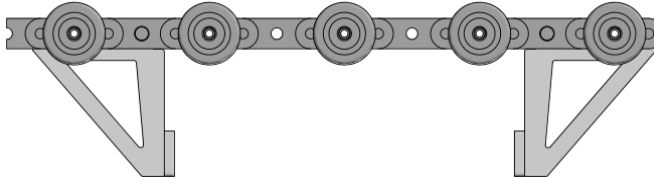


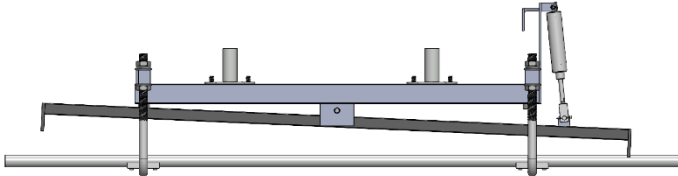


ORDERING INFORMATION

Shown below is the **37°** variant of the 211. This is used for more compact applications and is more expensive than the 30° model.

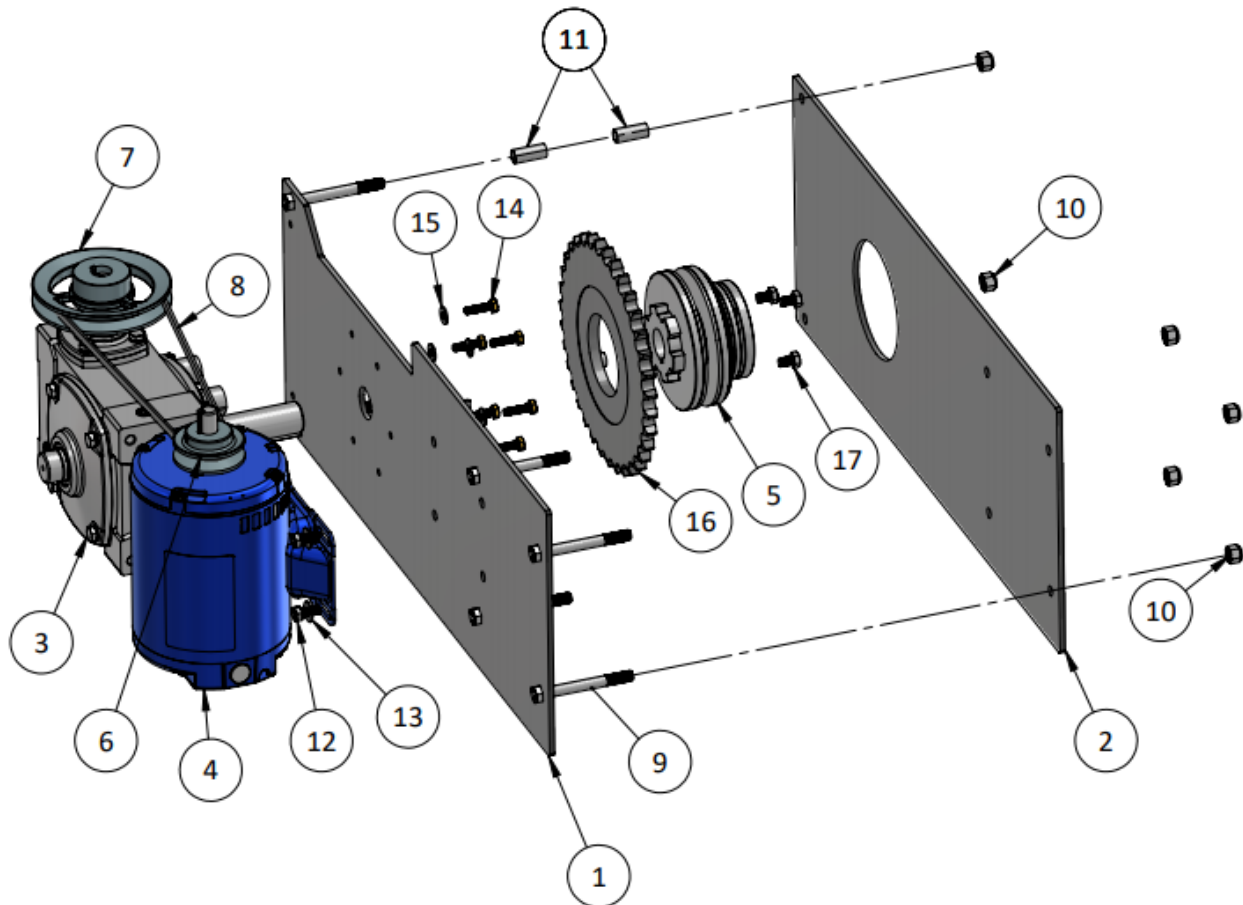


SYSTEM 211 COMPONENTS LIST

ITEM DESCRIPTION	
<p>MOTOR (PULLY NOT INCLUDED)</p>  <p>SPECIFIED BY MACHINE SIZE AND POWER SUPPLY</p>	<p>GEAR REDUCER (PULLY NOT INCLUDED)</p>  <p>PART NUMBER: XNA96-2110I</p>
<p>STRAIGHT TRACK (MADE TO SIZE)</p>  <p>PART NUMBER: 211ITONLY</p>	
<p>CHAIN ASSEMBLY WITH PUSHER DOGS</p>  <p>*NOTE: PUSHER DOGS ARE LOCATED ON 8FT CENTERS PART NUMBER: 211CHWRPO</p>	
<p>J HOOK FOR TROLLEY TRACK</p>  <p>PN: 200-04-PF2-13.5</p>	<p>MOUNT FOR GUARD RAIL</p>  <p>PN: 200-04-GRPF2</p>
<p>OPTIONAL: SYSTEM 215 PNEUMATIC TROLLEY FEEDER</p>  <p>PART NUMBER: 200-210-21PTFG</p>	

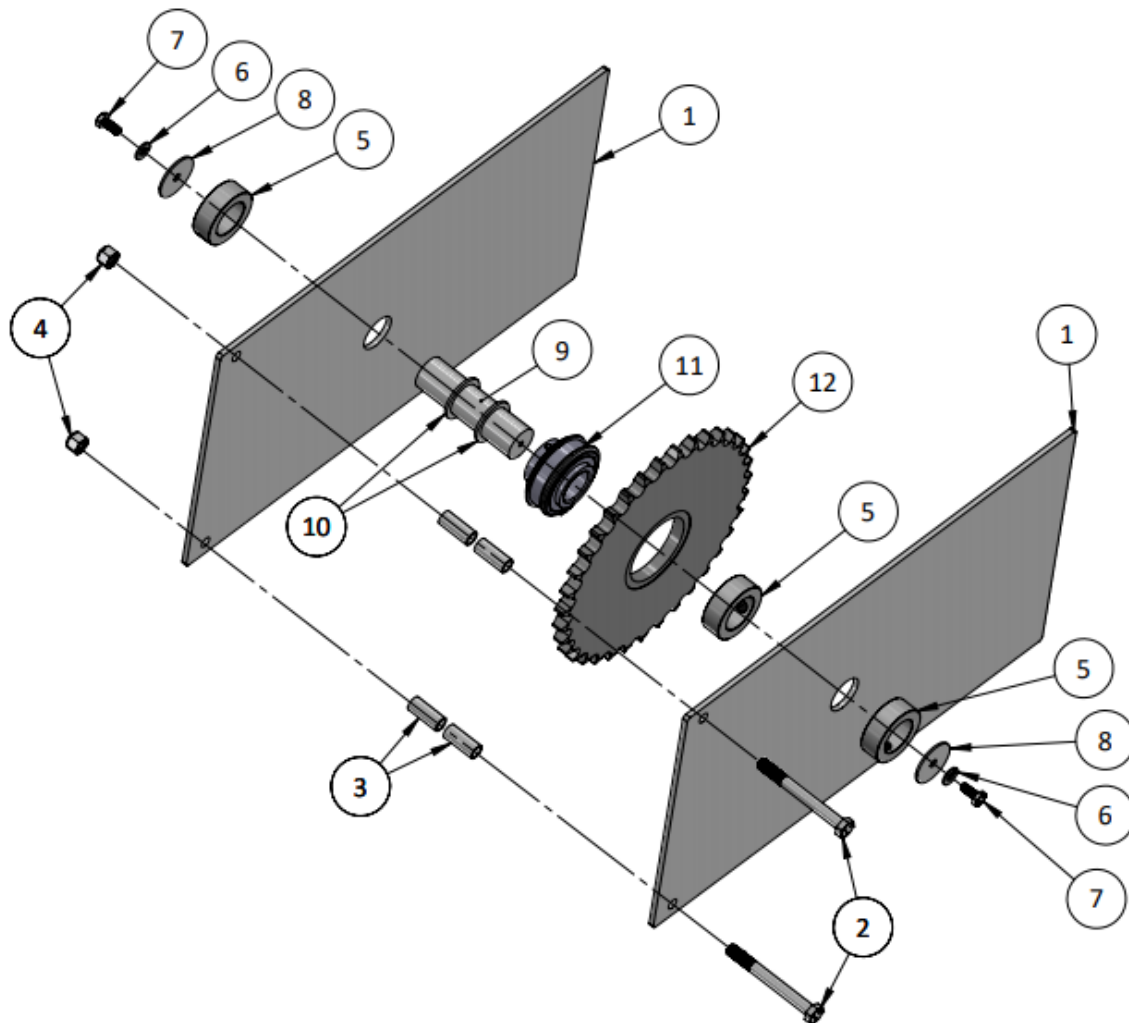
SYSTEM 211 DRIVE UNIT

ITEM NO.	PART NUMBER	DESCRIPTION	QTY.
1	211DMP	DRIVE MOTOR PLATE	1
2	211DCP	DRIVE COVER PLATE	1
3	XNA96-211OI	GEAR REDUCER	1
4	N.A	MOTOR BASED ON REQ.	1
5	211X500B2	211 TORQUE LIMITER	1
6	X3X766	MOTOR PULLY	1
7	X3X786	GEAR REDUCER PULLEY	1
8	X4L350AX33	211 BELT	1
9	FBH3735	HDW M.S 3/8-16 X 3-1/2"	6
10	FNE3716	HDW NUT 3/8-16 HEX ESN	6
11	SP3823	ROLLER TUBULAR 3/8" X 1-1/4"	4
12	FBH3175	HDW M.S 5/16-18 X 3/4" HEX ZINC	4
13	X1129	HDW WASHER 5/16" FLAT ZINC	4
14	X1019	HDW M/S 1/4-20 X 1" HEX G8	6
15	X1052	HDW WASHER 1/4" SPLIT LOCK	6
16	211DS35	DRIVE SPROCKET	1
17	N.A	HDW M.S 5/16-18 X 1/2" HEX	3



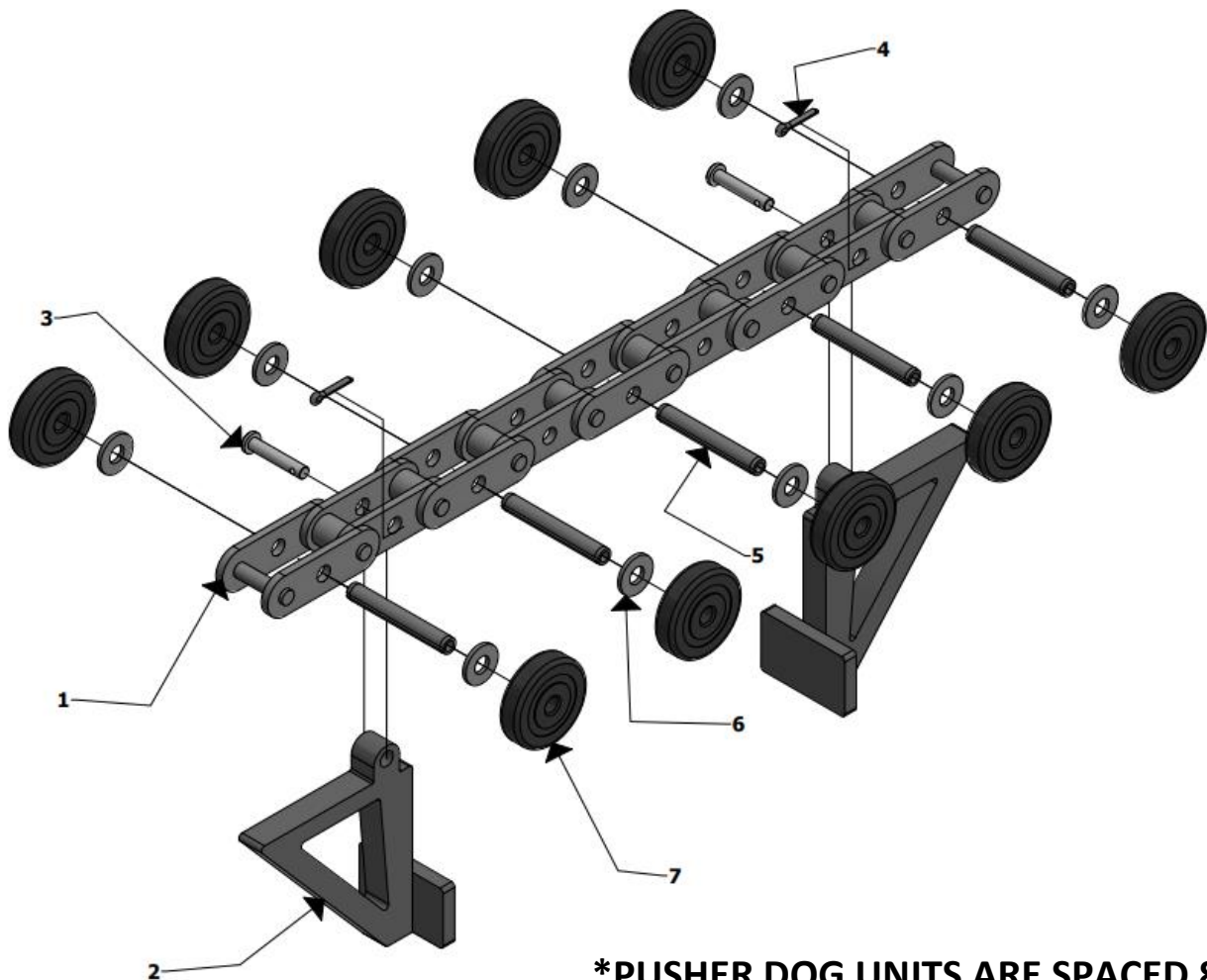
SYSTEM 211 IDLER UNIT

ITEM NO.	PART NUMBER	DESCRIPTION	QTY.
1	211IMP	IDLER MOUNTING PLATE	2
2	FBH3735	HDW M.S 3/8-16 X 3-1/2" HEX	2
3	X526011	TUBULAR ROLLER 3/8" X 1-1/4"	4
4	FNE3716	HDW NUT 3/8-16 HEX ESN	2
5	XSC118	COLLAR 1-1/8"	3
6	X1052	HDW WASHER 1/4" SPLIT LOCK	2
7	FBH2563	HDW M.S 1/4-20 X 5/8" HEX ZINC	2
8	X53004	HDW WASHER 1-1/2" X 1/4" I.D	2
9	211IS118	IDLER SHAFT	1
10	XSWA118	HDW WASHER 1-1/8" I.D 1-1/2" O.D	2
11	S211SB118	IDLER SPROCKET BEARING	1
12	211IS35	IDLER SPROCKET	1



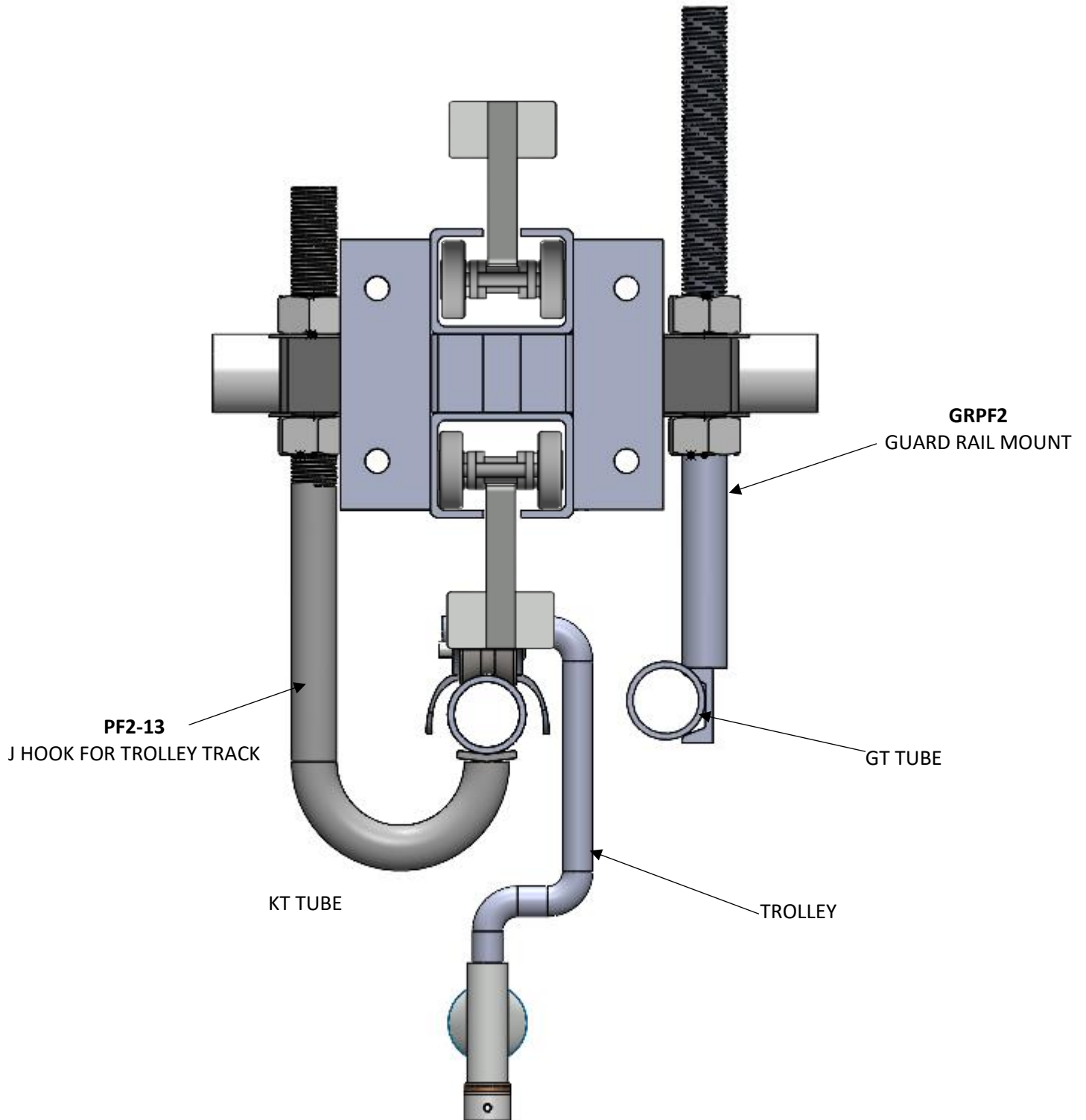
SYSTEM 211 PUSHER DOG CHAIN ASSEMBLY

ITEM NO.	PART NUMBER	DESCRIPTION
1	211CHO	ROLLER CHAIN DOUBLE PITCHED
2	211-RX-035	HARD DOG PUSHER ASSEMBLY
3	211CP3325	CLEVIS PIN 3/16" X 1"
4	211CP3161	COTTER PIN 3/32" X 1/2"
5	211RP1418	SPRING PIN SLOTTED 1/4" X 1-7/8"
6	211WA14SAE	WASHER .281 I.D X .625 O.D
7	X417002	WHEEL BEARING

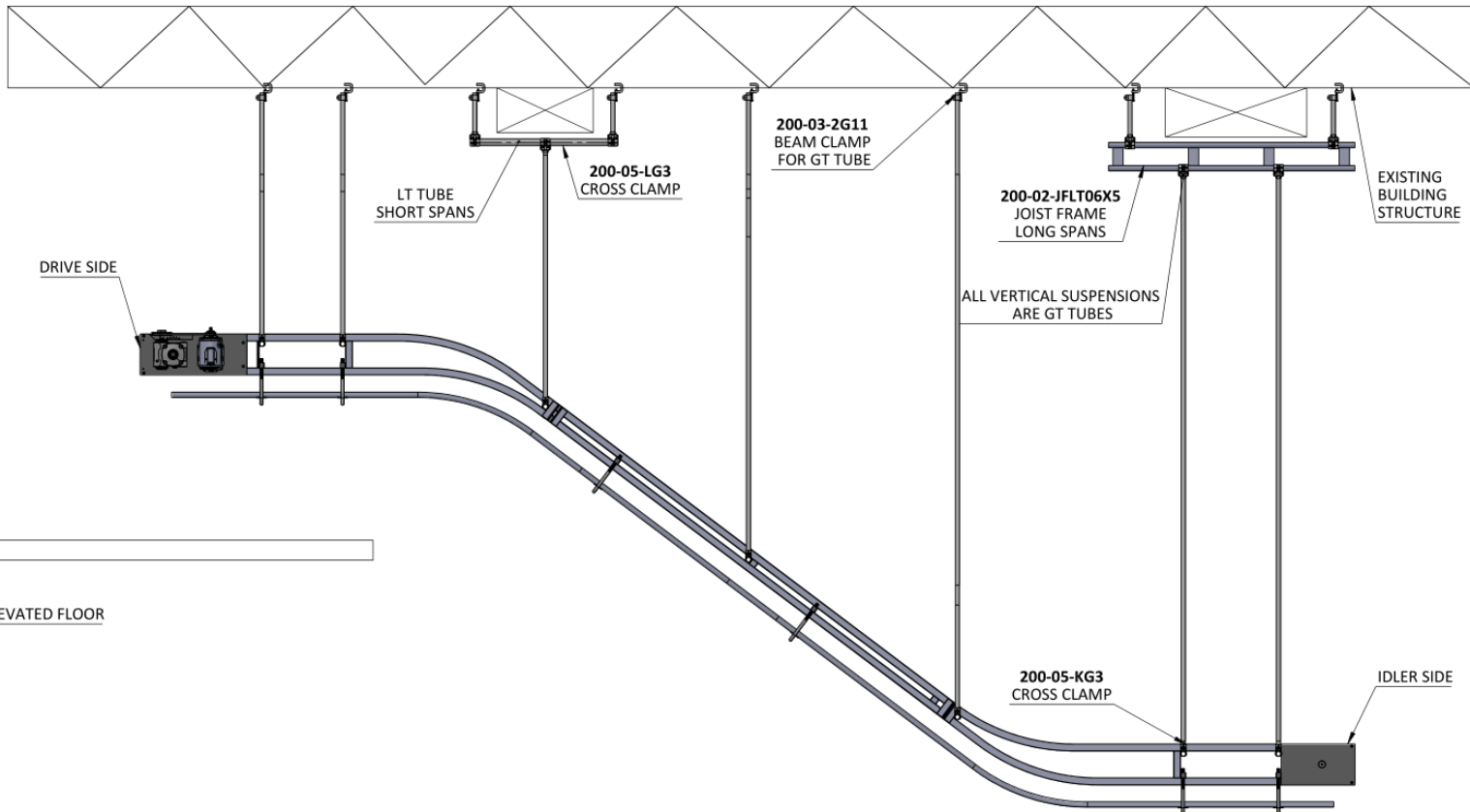


***PUSHER DOG UNITS ARE SPACED 8FT
APART CENTER TO CENTER**

SYSTEM 211 TRACK CROSS SECTION



SYSTEM 211 TYPICAL INSTALLATION



The Railex System 211 is most often suspended from the ceiling. Railex is able to provide a full BOM of all the materials you will need to install your trolley booster rail. Our full line of System 200 Slick Rail fittings and tube is ideal for this application. We encourage our clients to send us sketches or prints of what they want to do in their facility, and we will orient the system into place in your CAD print or we will create one.

STAY CONNECTED!



Subscribe to our
You Tube Channel



Linked in