

## RAILEX 200-10 SWITCHES: REMOVABLE, TELESCOPING, SWIVEL

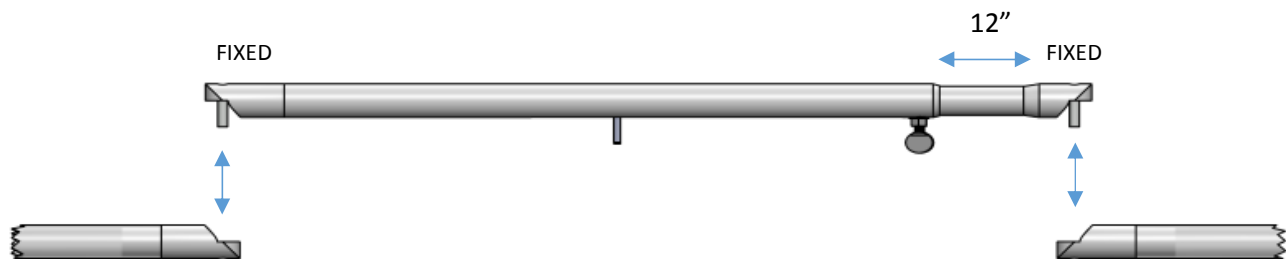
Railex offers a variety of standard switches. All switches are made in house. Custom lengths and sizes available.

### RBS – REMOVABLE BAR SWITCH



- ◆ Standard to fit 32" wide opening.
- ◆ Custom lengths available.
- ◆ Available in GT and KT.
- ◆ Knuckles to insert into your existing rails are included.

### RBTS – REMOVABLE BAR TELESCOPING SWITCH



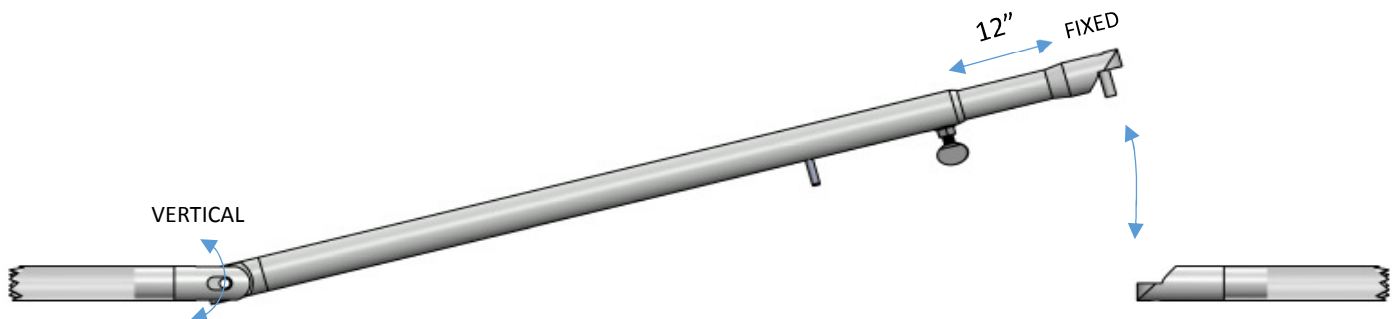
- ◆ Standard Telescopic to fit 32" to 44" wide openings.
- ◆ Custom lengths available.
- ◆ Available in GT and KT.
- ◆ Knuckles to insert into your existing rails are included.

## RBTS – REMOVABLE BAR TELESCOPING SWIVEL SWITCH



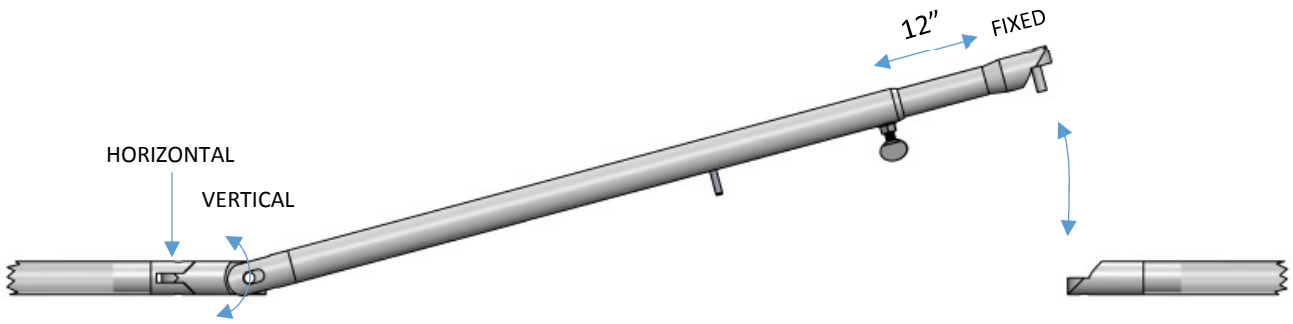
- ◆ Standard Telescopic Swivel to fit 32" to 44" wide openings.
- ◆ Custom lengths available.
- ◆ Available in GT and KT.
- ◆ Knuckles to insert into your existing rails are included.

## HKTSS – HINGE KNIFE TELESCOPING SWIVEL SWITCH VERTICAL



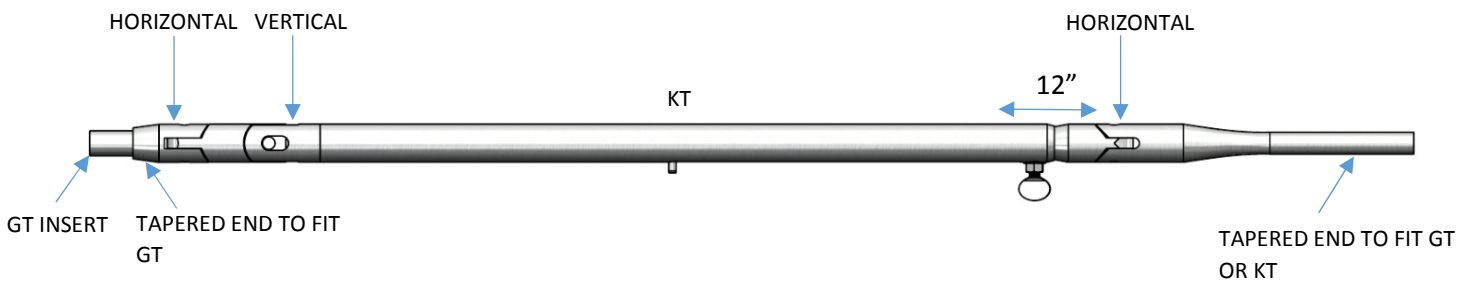
- ◆ Standard Telescopic Swivel Vertical to fit 32" to 44" wide openings.
- ◆ Custom lengths available.
- ◆ Available in GT and KT.
- ◆ Knuckles to insert into your existing rails are included.

## HKTSS – HINGE KNIFE TELESCOPING SWIVEL SWITCH HORIZONTAL VERTICAL



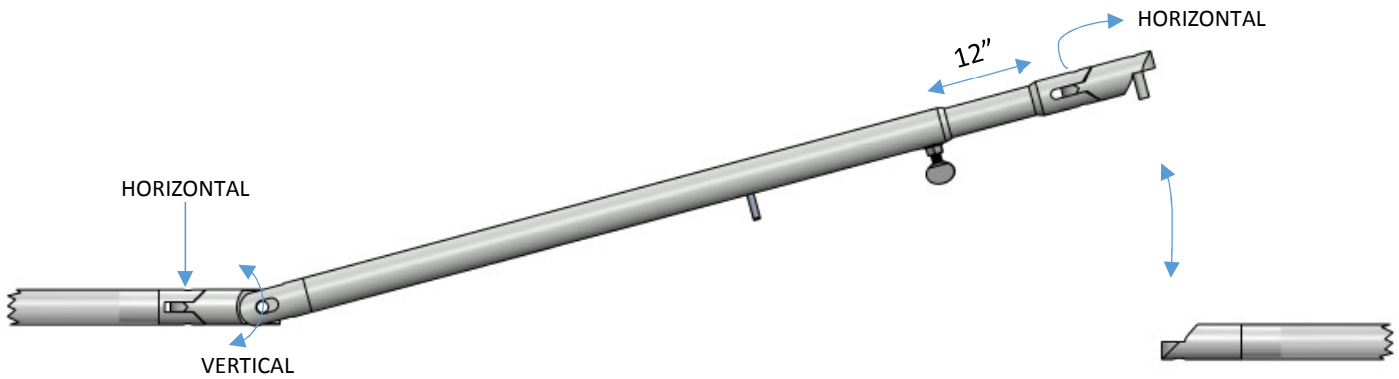
- ◆ Standard Telescopic Swivel Horizontal Vertical to fit 32" to 44" wide openings.
- ◆ Custom lengths available.
- ◆ Available in GT and KT.
- ◆ Knuckles to insert into your existing rails are included.

## HKTSS – HINGE KNIFE TELESCOPING SWIVEL SWITCH HORZ. VERT. TO HORZ. KT TAPERED



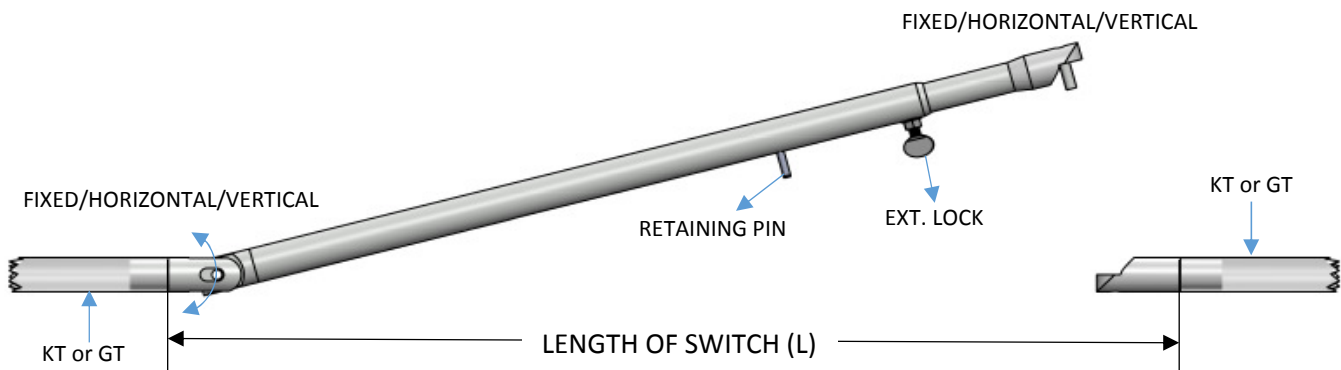
- ◆ Tapered Telescopic Swivel Horizontal Vertical to Vertical to fit 32" to 44" wide openings form GT size to KT size.
- ◆ Custom lengths available.
- ◆ KT Size.
- ◆ Knuckles to insert into your existing rails are included.

## HKTSS – HINGE KNIFE TELESOPING SWIVEL SWITCH HORIZONTAL VERTICAL TO HORIZONTAL



- ◆ Standard Telescopic Swivel Horizontal Vertical to Horizontal to fit 32" to 44" wide openings.
- ◆ Custom lengths available.
- ◆ Available in GT and KT.
- ◆ Knuckles to insert into your existing rails are included.

## REFERENCE – HOW TO SPECIFY YOUR SWITCH



### Ordering information:

Specify,

- Type of switch; RBS, RBTS, RBTSS, HKTSS.
- Length (L).
- Each end KT or GT.
- Each end whether it's fixed, horizontal, vertical or both.
- Max switch is up to 8 FT long.
- Telescopic switch extendable length is within 12" increments.

